

EXCELON® 74
General Purpose Filter
3/8", 1/2", 3/4" Port Sizes

- **EXCELON design allows in-line or modular installation**
- **Quick release bayonet bowl**
- **Highly visible, prismatic liquid level indicator lens**
- **Optional mechanical service indicator turns from green to red when the filter element needs to be replaced**
- **Optional electrical service indicator provides electrical output when the filter element needs to be replaced - see page N/AL.8.900.920**
- **Modular installations with EXCELON 72, 73, and 74 series can be made to suit particular applications**


Technical Data

Fluid: Compressed air

Maximum pressure:

Transparent bowl: 10 bar (150 psig)

Metal bowl: 17 bar (250 psig)

Operating temperature*:

Transparent bowl: -20° to 50°C (0° to 125°F)

Metal bowl: -20° to 80°C (0° to 175°F)

* Air supply must be dry enough to avoid ice formation at temperatures below +2°C (+35°F).

Particle removal: 5, 25, or 40 µm filter element

Air quality: Within ISO 8573-1, Class 3 and Class 5 (particulates)

Typical flow with a 40 µm element at 6,3 bar (90 psig) inlet pressure and 0,5 bar (7 psig) pressure drop: 83 dm³/s (176 scfm)

Manual drain connection: 1/8"

Automatic drain connection: 1/8"

Automatic drain operating conditions (float operated):

Bowl pressure required to close drain: Greater than 0,3 bar (5 psig)

Bowl pressure required to open drain: Less than 0,2 bar (3 psig)

Minimum air flow required to close drain: 1 dm³/s (2 scfm)

Manual operation: Depress pin inside drain outlet to drain bowl

Nominal bowl size: 0,2 litre (7 fluid ounce)

Materials:

Body: Aluminum

Bowl:

Transparent: Polycarbonate with steel bowl guard

Metal: Aluminum

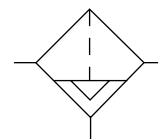
Metal bowl liquid level indicator lens: Transparent nylon

Element: Sintered plastic

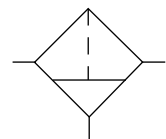
Elastomers: Neoprene and Nitrile

Ordering Information

See *Ordering Information* on the following pages.

ISO Symbols


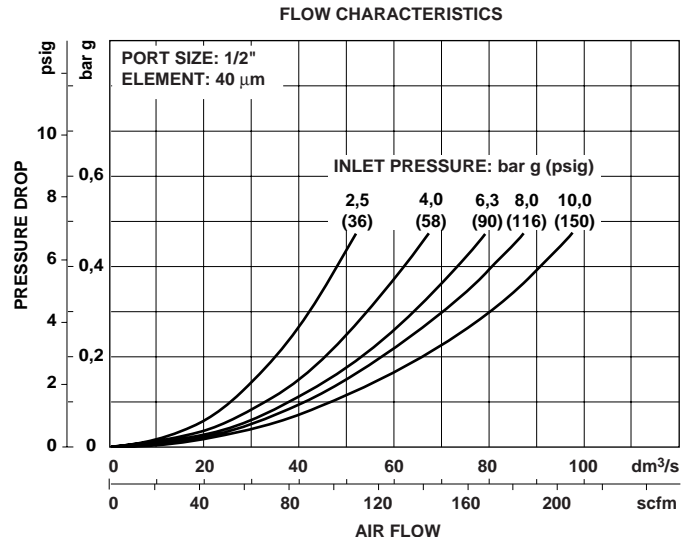
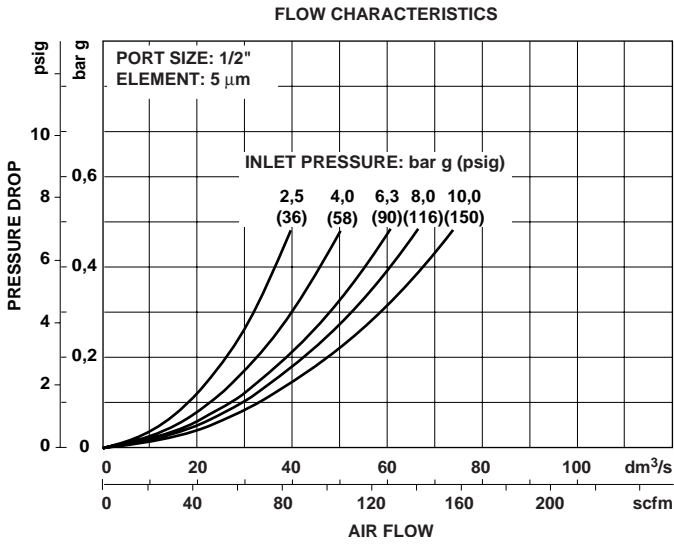
Automatic Drain



Manual Drain



Typical Performance Characteristics



Ordering information. Models listed include ISO G parallel threads, automatic drain, metal bowl with liquid level indicator, and a 40 µm element.

Port Size	Model	Flow* dm ³ /s (scfm)	Weight kg (lb)
G3/8	F74G-3GN-AD3	68 (144)	0,83 (1.82)
G1/2	F74G-4GN-AD3	83 (176)	0,81 (1.79)
G3/4	F74G-6GN-AD3	83 (176)	0,79 (1.75)

* Typical flow with a 40 µm element at 6,3 bar (90 psig) inlet pressure and 0,5 bar (7 psig) pressure drop.

Alternative Models

F 7 4 G - ★ ★ ★ - ★ ★ ★

Port Size	Substitute
3/8"	3
1/2"	4
3/4"	6

Threads	Substitute
PTF	A
ISO Rc taper	B
ISO G parallel	G

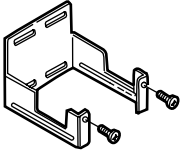
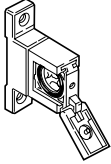

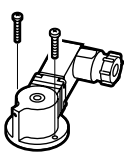
Service Life Indicator	Substitute
With (visual)	D
With (electrical)	E
Without	N

Element	Substitute
5 µm	1
25 µm	2
40 µm	3

Bowl	Substitute
Metal with liquid level indicator	D
Transparent with guard	P

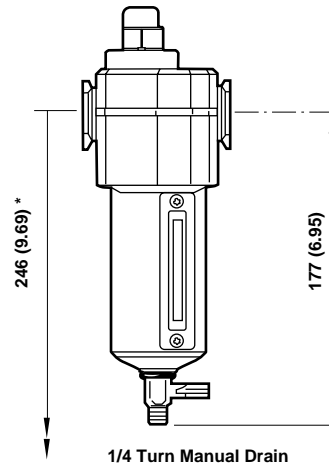
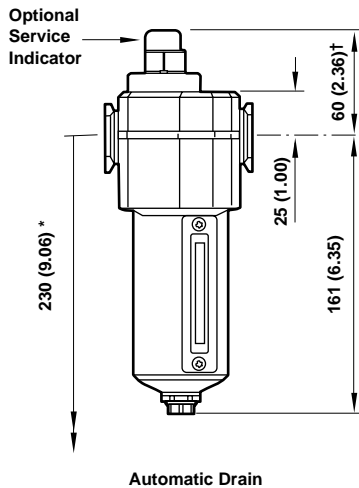
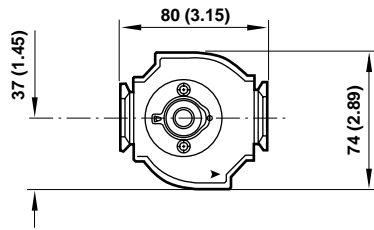
Drain	Substitute
Automatic	A
Manual, 1/4 turn	Q

Accessories

 Wall Mounting Bracket 4324-50	 Quikclamp and Quikclamp Wall Bracket 4314-52	 Service Life Indicator (visual) 5797-50	 Service Life Indicator (electrical) 4020-51
---	--	---	--



Dimensions mm (inches)



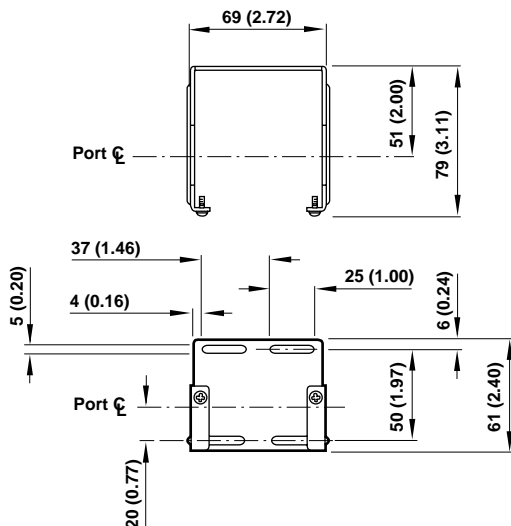
* Minimum clearance required to remove bowl.

† Dimension for alternative electrical service indicator is 50,4 mm (1.98")

Bracket Mounting

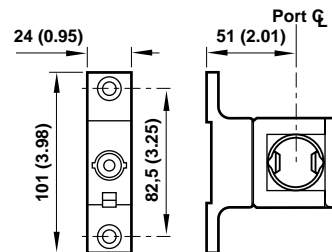
Mounting Bracket

Use 5 mm (3/16") screws to mount bracket to wall.



Quikclamp and Quikclamp Wall Bracket

Use 6 mm (7/32") screws to mount bracket to wall



Bracket Kit Reference

Item	Part Number
Wall Bracket	4324-50
Quikclamp and Quikclamp Wall Bracket	4314-52



Service Kits

Item	Type	Part Number
Service kit	Seal & gasket	4380-700
Replacement elements	5 µm	4338-04
	25 µm	4338-07
	40 µm	4338-05
Service life indicator	Visual	5797-50
	Electrical	4020-51
Liquid level lens kit	Prismatic	4380-050
Replacement drains	Automatic (1/8 NPT outlet)	3000-10
	Automatic (G1/8 outlet)	3000-97
	Manual quarter turn	619-50

Service kit includes louvre/element seal, drain seal, bowl seal.

Warning

These products are intended for use in industrial compressed air systems only. Do not use these products where *pressures and temperatures* can exceed those listed under '**Technical Data**'.

Before using these products with fluids other than those specified, for non-industrial applications, life-support systems, or other applications not within published specifications, consult Norgren.

Through misuse, age, or malfunction, components used in fluid power systems can fail in various modes. The system designer is warned to consider the failure modes of all component parts used in fluid power systems and to provide adequate safeguards to prevent personal injury or damage to equipment in the event of such failure.

System designers must provide a warning to end users in the system instructional manual if protection against a failure mode cannot be adequately provided.

System designers and end users are cautioned to review specific warnings found in instruction sheets packed and shipped with these products.

Water vapor will pass through these units and will condense into liquid if air temperature drops in the downstream system. Install an air dryer if water condensation could have a detrimental effect on the application.