



PRODUCT DATASHEET

Linnea series

last update 3/8/2017

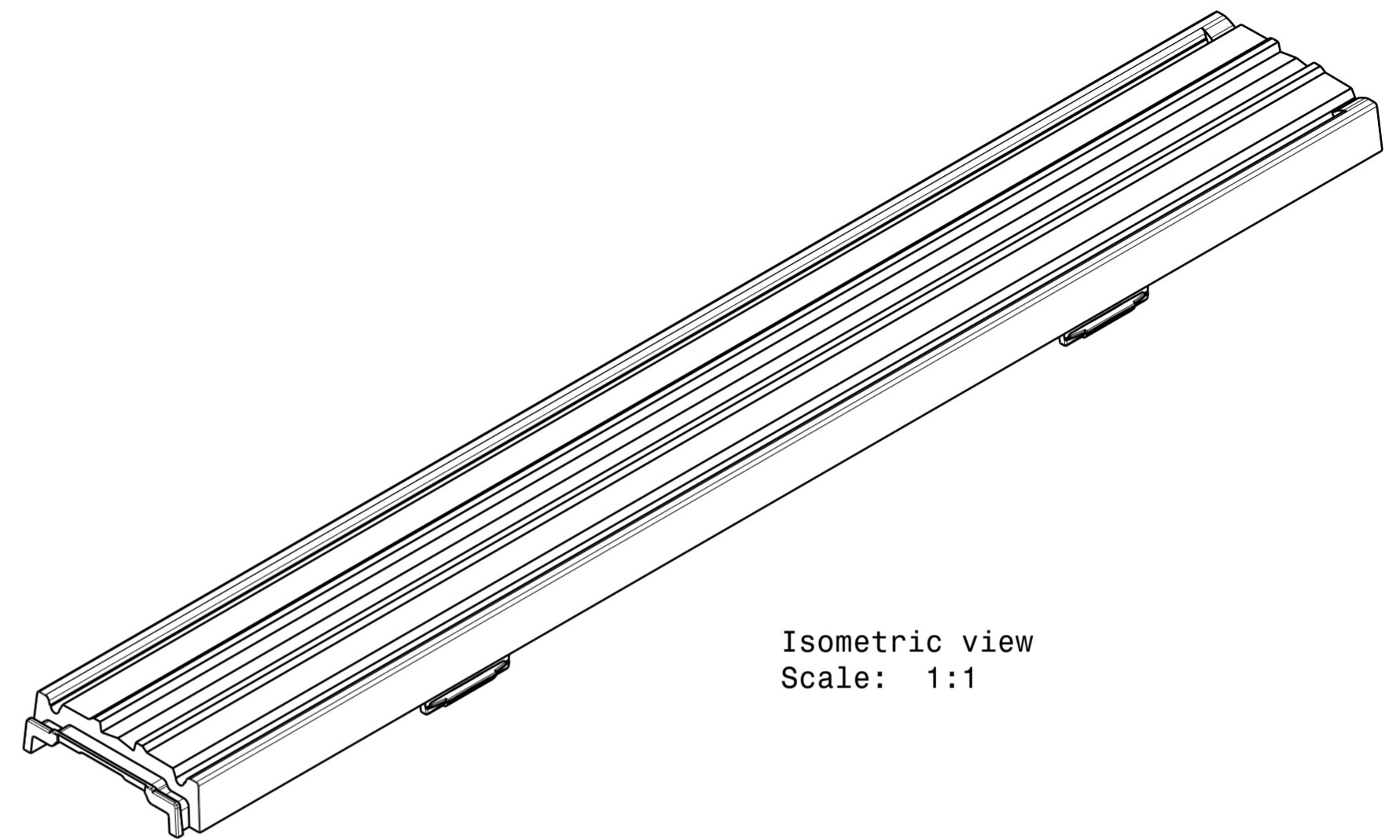
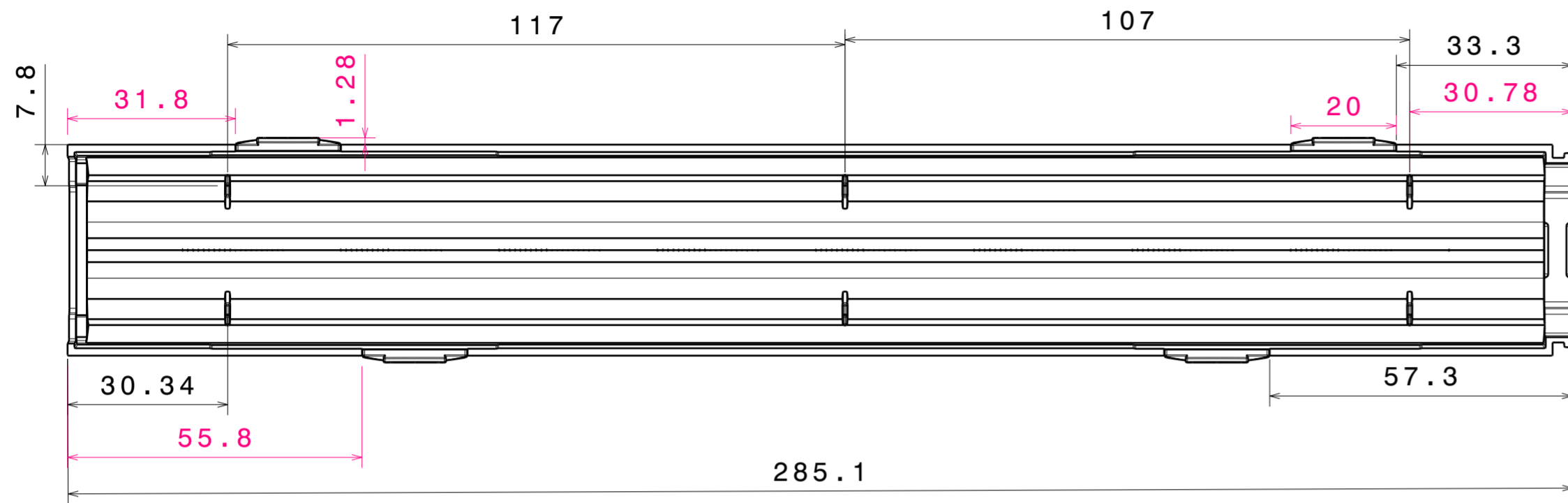
DETAILS

Product Number	F15952_LINNEA-O-B
Family	Linnea
Type	Lens
Color	clear
Diameter	280x40 mm
Height	12 mm
Style	rectang
Optic Material	PC
Holder Material	
Fastening	
Status	sample approved
ROHS Compliant	Yes
Date Updated	3/08/2017

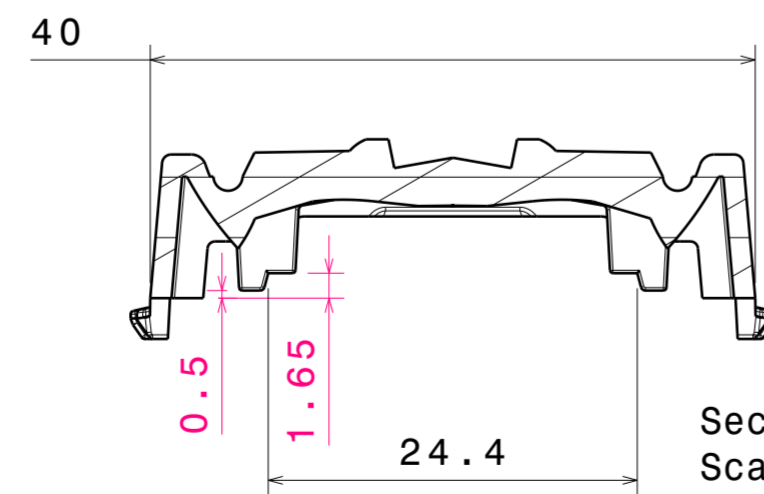
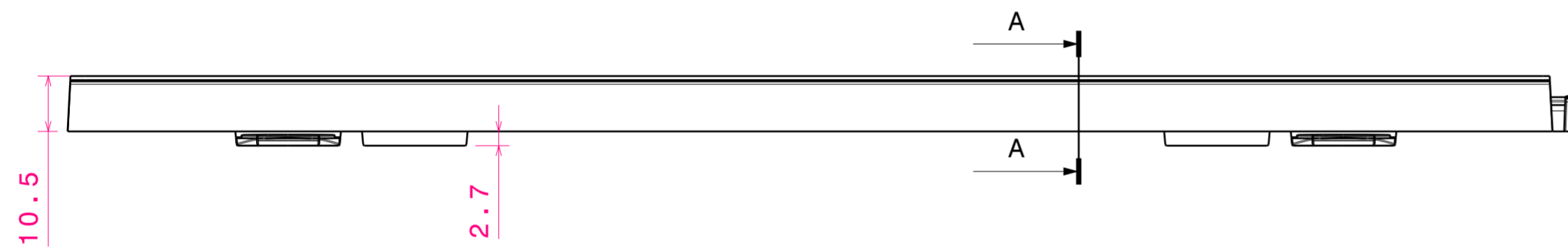
OPTICAL PROPERTIES

LED	Viewing Angle	Light Beam	Efficiency	cd/lm	Connector
LM561B Plus	35+70 deg		81 %	0.820	-





Isometric view
Scale: 1:1



Section view A-A
Scale: 2:1

INDEX	PART NO	DESCRIPTION	MATERIAL	COLOUR
1	F15952	LINNEA-0-B	PC Lexan 123R	clear

Tolerances if not otherwise shown
According to DIN ISO 2768-1
Linear measures:
Up to 30mm class M, otherwise class C.
According to DIN ISO 2768-2
Form and position: class L

LEDiL Ledil Oy
Salorankatu 10
FIN 24240 SALO
Finland

THIRD ANGLE PROJECTION:

DRAWING TITLE
F15952_LINNEA-0-B

This drawing is the property
of LEDiL Oy. It may not be
reproduced, copied or
communicated without a written
agreement with LEDiL Oy.

SIZE	PART NUMBER
A2	F15952

SCALE	1:1	WEIGHT	-	SHEET	1/1
-------	-----	--------	---	-------	-----

NOTE: The typical divergence will be changed by different color, chip size and chip position tolerance. The typical total divergence is the full angle measured where the luminous intensity is half of the peak value.