



PRODUCT DATASHEET

Linnea series

last update 3/8/2017

DETAILS

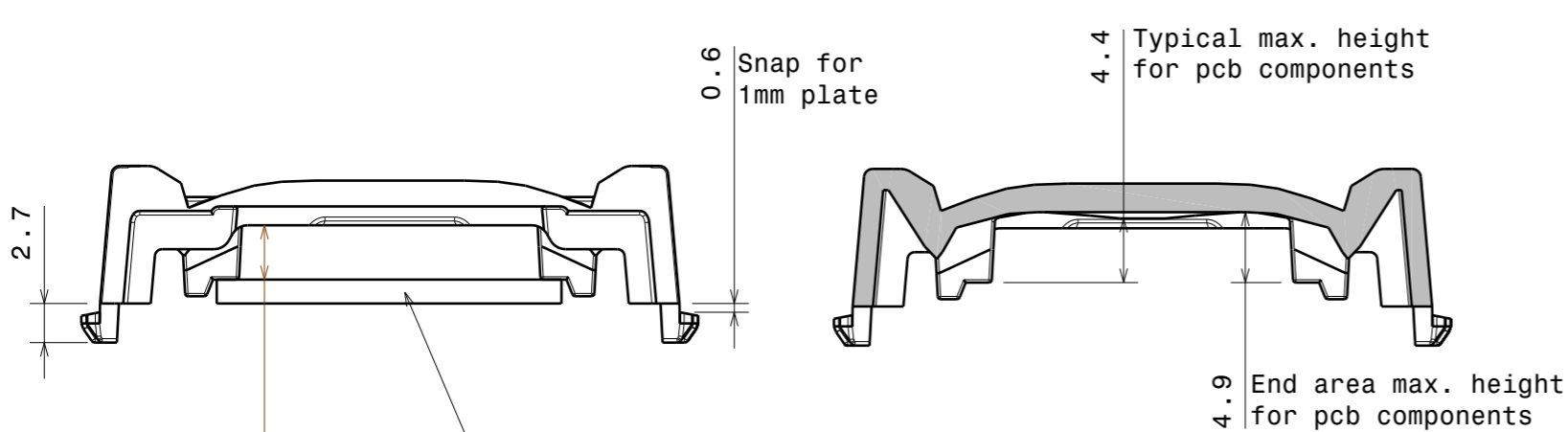
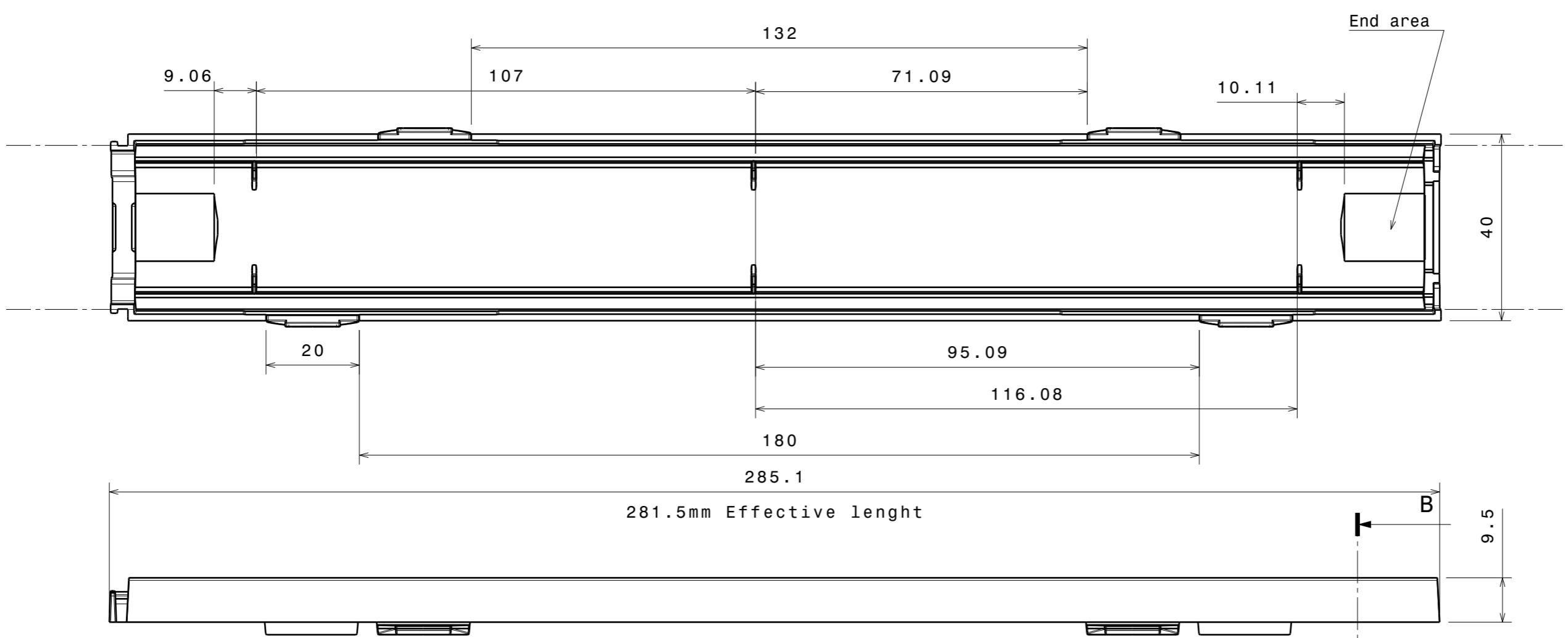
Product Number	F15940_LINNEA-90-B
Family	Linnea
Type	Lens
Color	clear
Diameter	285x40 mm
Height	9,5 mm
Style	rectang
Optic Material	PC
Holder Material	
Fastening	clips
Status	production ready
ROHS Compliant	Yes
Date Updated	3/08/2017



OPTICAL PROPERTIES

LED	Viewing Angle	Light Beam	Efficiency	cd/lm	Connector
NF2x757D	86+96 deg	Very Wide	-	0.480	-
LM561B Plus	89+104 deg	Very Wide	83 %	0.380	-

H G F E D C B A



PCB max 24mm wide.
Thickness 1.6mm.

Section view B-B
Scale: 2:1

INDEX	PART NO	DESCRIPTION	MATERIAL	COLOUR
1	F15940	LINNEA-90-B	PC	Clear

LEDiL LediL Oy
Salorankatu 10
FIN 24240 SALO
Finland

Tolerances if not otherwise shown
According to DIN ISO 2768-1
Linear measures:
Up to 30mm class M, otherwise class C.
According to DIN ISO 2768-2
Form and position: class L

THIRD ANGLE PROJECTION:

This drawing is the property of LEDiL Oy. It may not be reproduced, copied or communicated without a written agreement with LEDiL Oy.

DRAWING TITLE
F15940_LINNEA-90-B

SIZE	PART NUMBER
A3	F15940

SCALE	1:1	WEIGHT	33,4g	SHEET	1/2
-------	-----	--------	-------	-------	-----

H G B A

H G F E D C B A

4

4

3

3

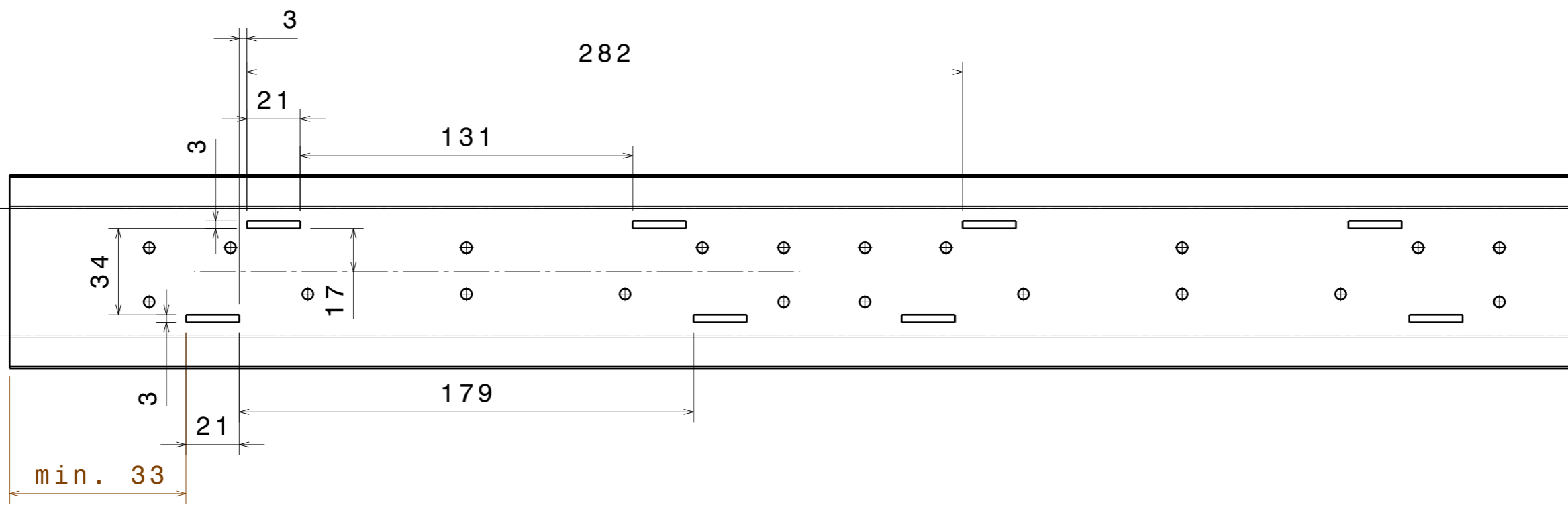
2


2

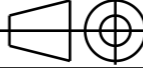
1

1

H G F E D C B A



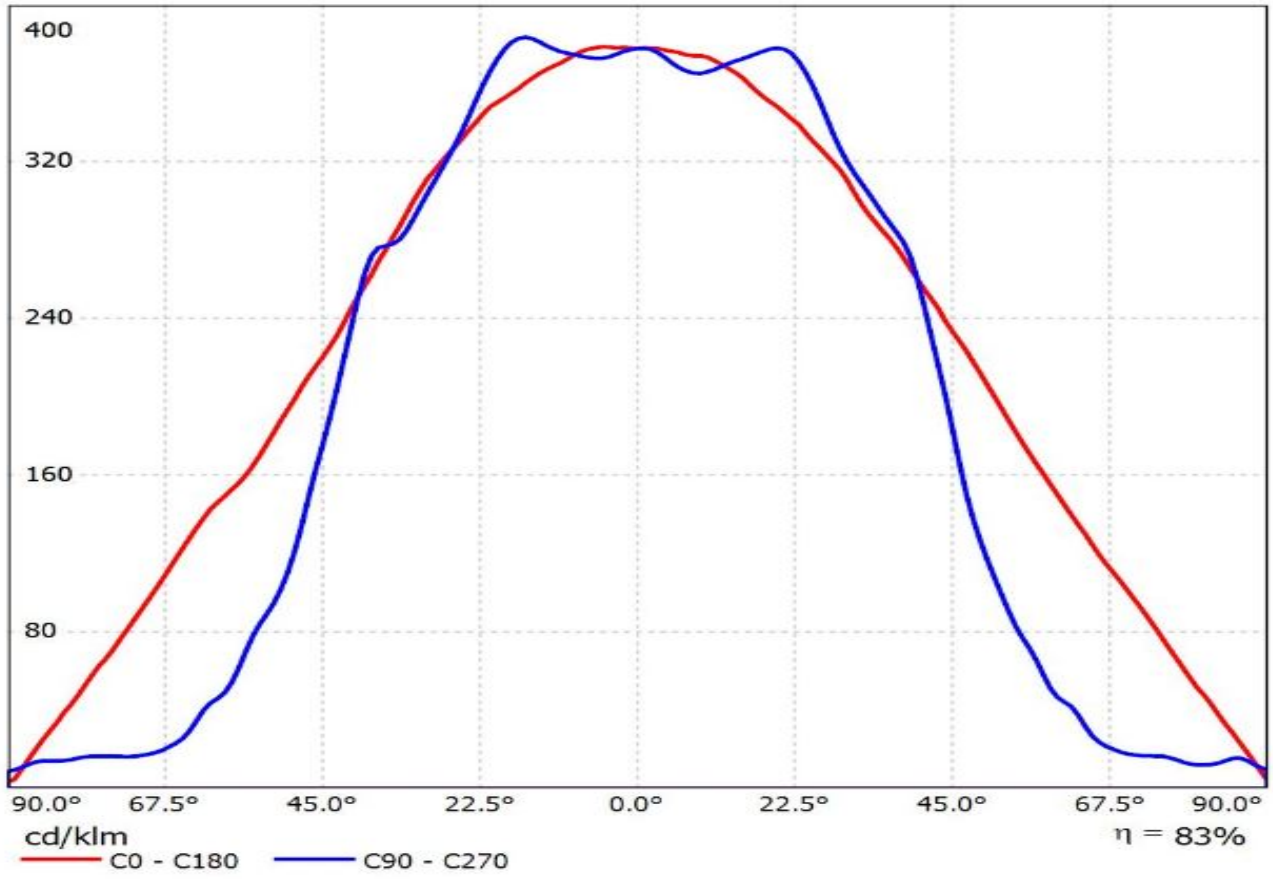
 Ledil Oy Salorankatu 10 FIN 24240 SALO Finland		DRAWING TITLE	
		LINNEA SHEETMETAL CUT OUT	
SIZE	PART NUMBER		
A3	-		
SCALE	1:2	WEIGHT	
		SHEET	2/2

FIRST ANGLE PROJECTION: 

This drawing is the property of LEDiL Oy. It may not be reproduced, copied or communicated without a written agreement with LEDiL Oy.

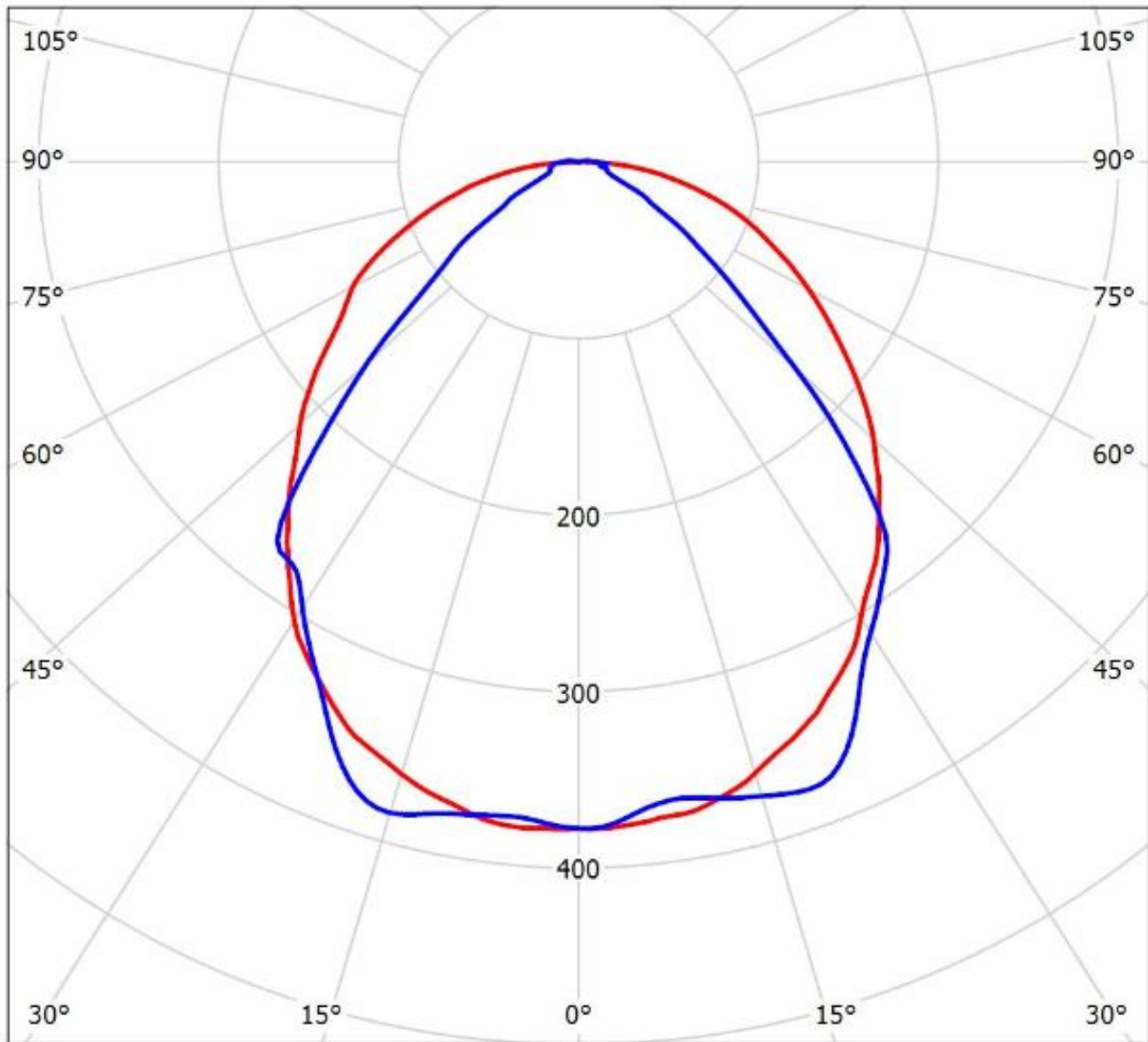
Luminaire: Ledil F15940_LINNEA-90-B_(LM561B+)

Lamps: 1 x Samsung_LM561B+_x24_1418.16lm@250mA_P=9.1415W_I=0.25A



Luminaire: Ledil F15940_LINNEA-90-B_(LM561B+)

Lamps: 1 x Samsung_LM561B+_x24_1418.16lm@250mA_P=9.1415W_I=0.25A



cd/klm

— C0 - C180 — C90 - C270

$\eta = 83\%$

NOTE: The typical divergence will be changed by different color, chip size and chip position tolerance. The typical total divergence is the full angle measured where the luminous intensity is half of the peak value.