



# PRODUCT DATASHEET

## Linnea series

last update 3/8/2017

### DETAILS

<b>Product Number</b>	F15860_LINNEA-Z2T25
<b>Family</b>	Linnea
<b>Type</b>	Lens
<b>Color</b>	clear
<b>Diameter</b>	285x40 mm
<b>Height</b>	10,3 mm
<b>Style</b>	rectang
<b>Optic Material</b>	PC
<b>Holder Material</b>	
<b>Fastening</b>	clips
<b>Status</b>	sample approved
<b>ROHS Compliant</b>	Yes
<b>Date Updated</b>	3/08/2017



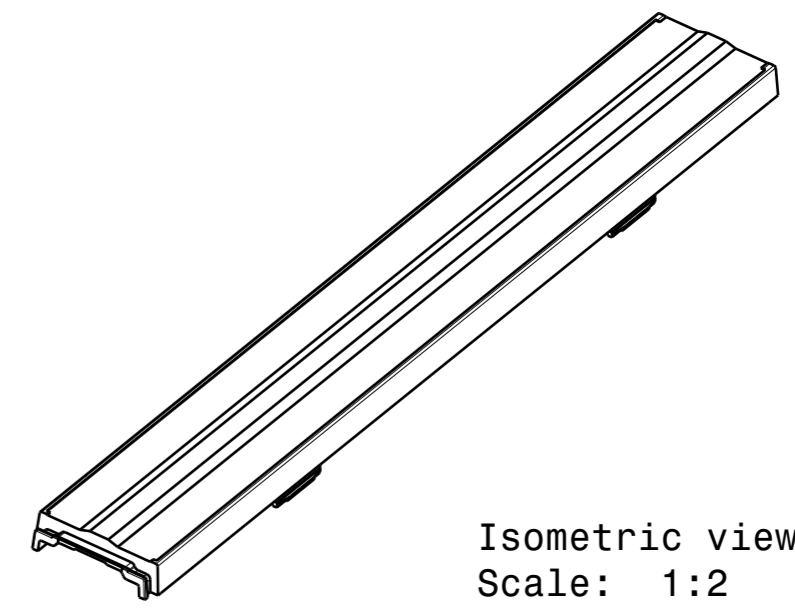
### OPTICAL PROPERTIES

LED	Viewing Angle	Light Beam	Efficiency	cd/lm	Connector
NF2x757G	sim: Asymmetric		sim: 87 %	sim: 0.540	-
LM561B Plus	Asymmetric deg		87 %	0.480	-

H G F E D C B A

4

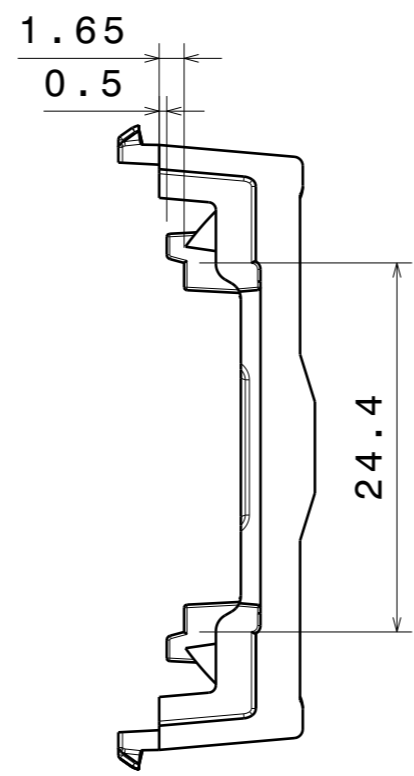
4



Isometric view  
Scale: 1:2

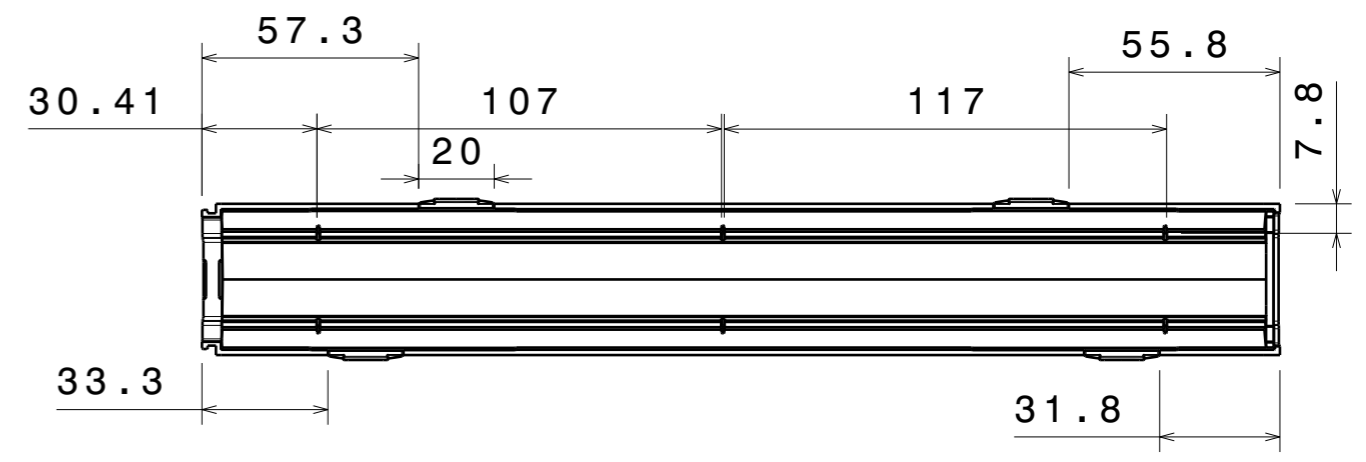
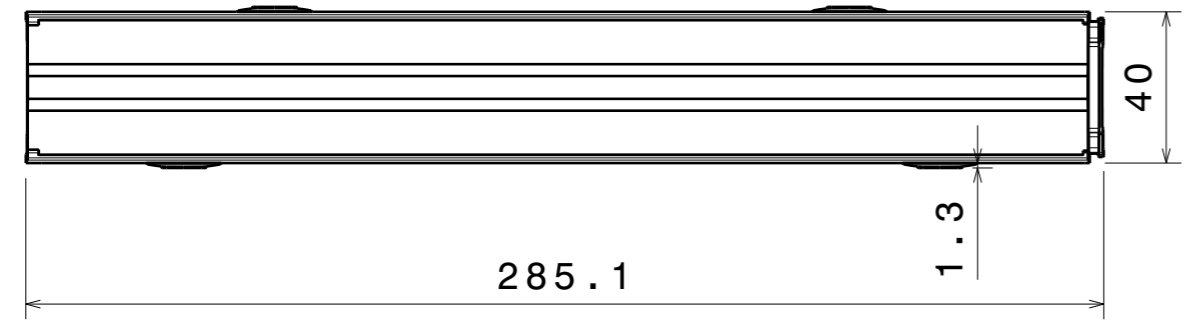
3

3



2

2



1

1

INDEX	PART NO	DESCRIPTION	MATERIAL	COLOUR
1	F15860	LINNEA-Z2T25	PC	clear

Tolerances if not otherwise shown  
According to DIN ISO 2768-1  
Linear measures:  
Up to 30mm class M, otherwise class C.  
According to DIN ISO 2768-2  
Form and position: class L

**LEDiL** LediL Oy  
Salorankatu 10  
FIN 24240 SALO  
Finland

THIRD ANGLE PROJECTION:

DRAWING TITLE  
**F15860\_LINNEA-Z2T25**

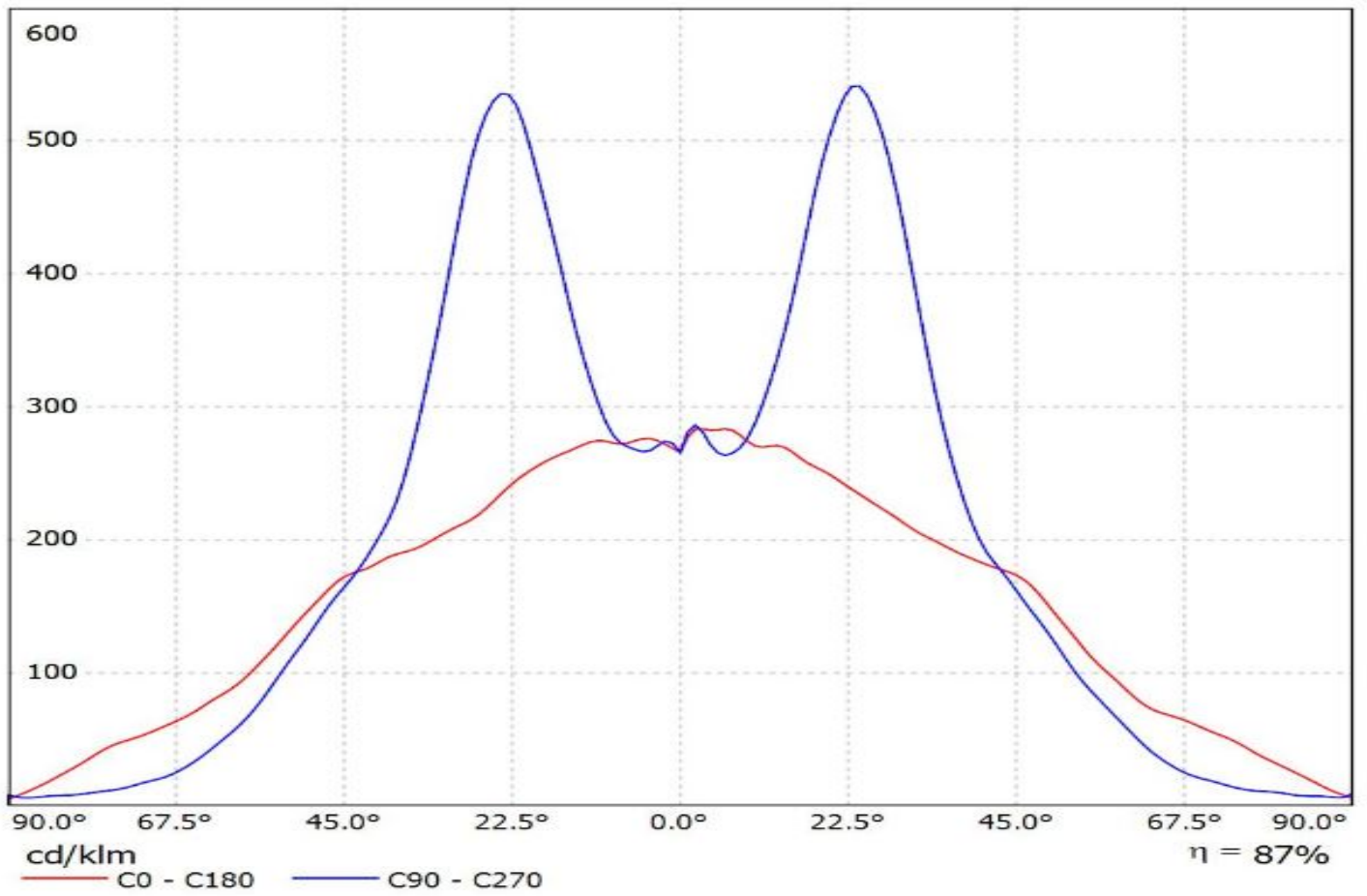
This drawing is the property  
of LEDiL Oy. It may not be  
~~reproduced, copied or~~  
communicated without a written  
agreement with LEDiL Oy.

SIZE	PART NUMBER
<b>A3</b>	<b>F15860</b>

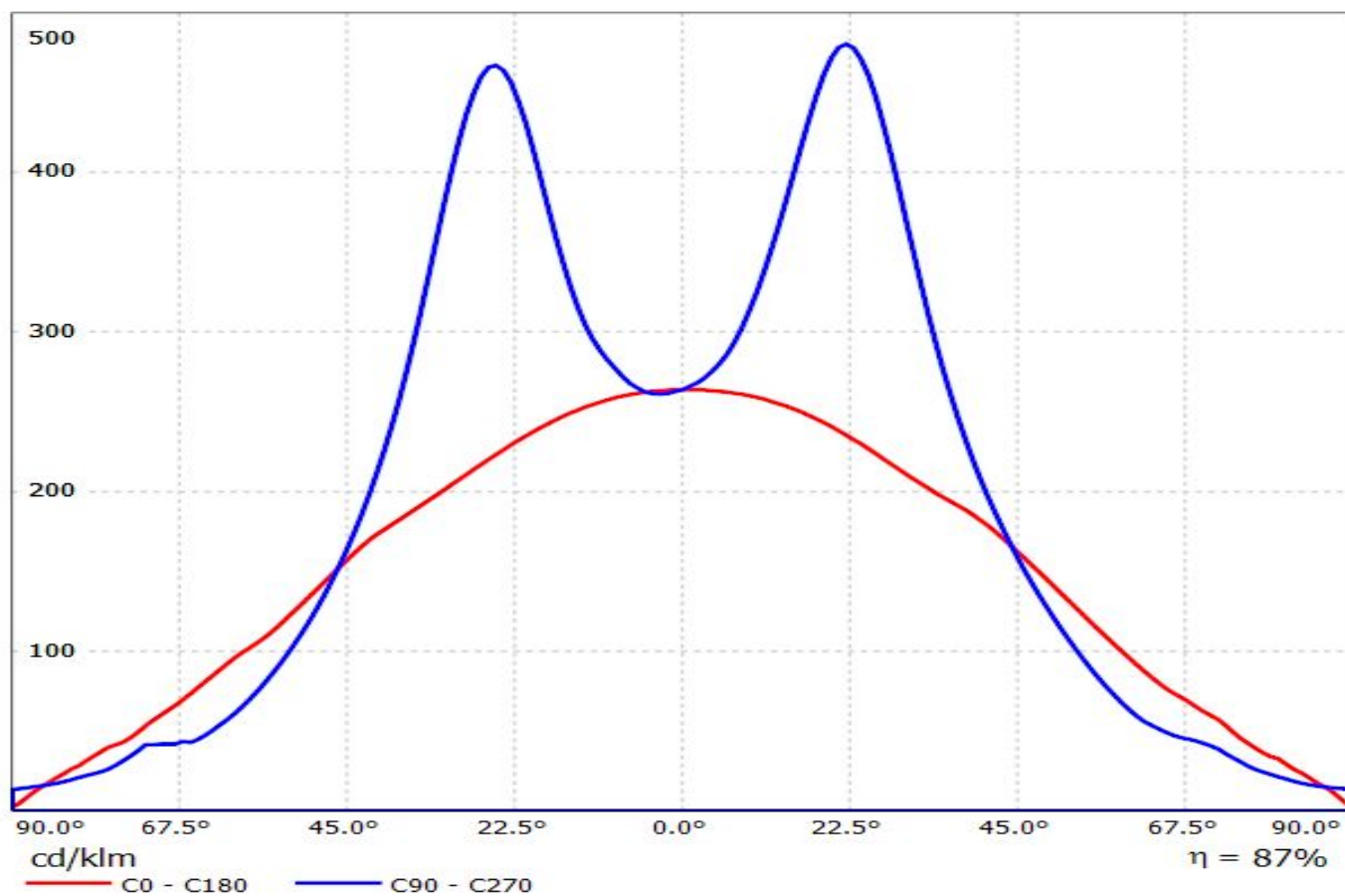
SCALE	1:2	WEIGHT	43,1g	SHEET	1/1
-------	-----	--------	-------	-------	-----

H G B A

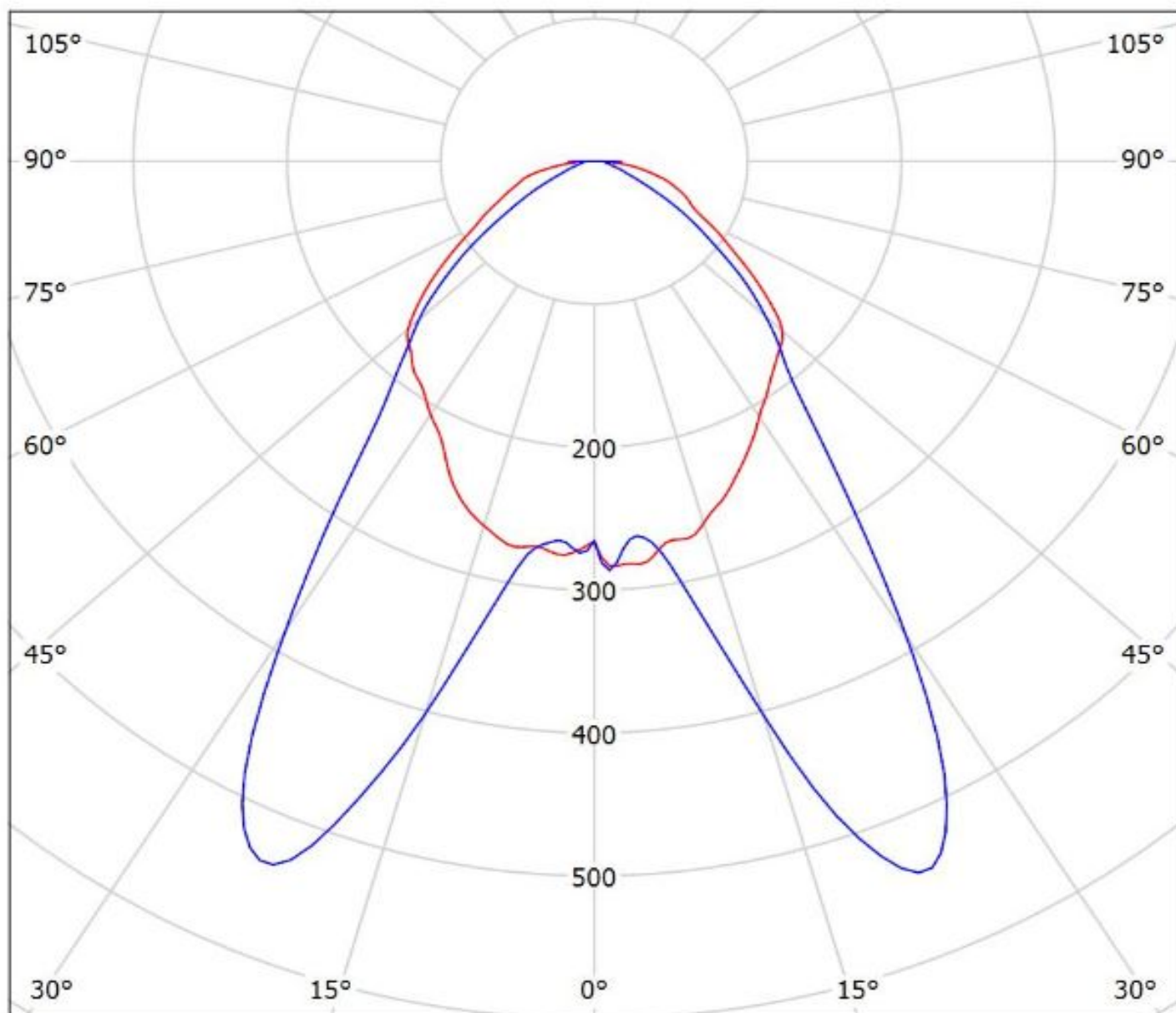
Luminaire: Ledil Oy F15860\_LINNEA-Z2T25\_(NF2W757GR-V1)\_SIMULATED  
Lamps: 1 x Nichia NF2W757GR-V1



Luminaire: Ledil F15860\_LINNEA-Z2T25\_(LM561B+)\_Cav2  
Lamps: 1 x Samsung\_LM561B+\_1370.96lm@250mA\_P=9.12885W\_I=0.25A



Luminaire: Ledil Oy F15860\_LINNEA-Z2T25\_(NF2W757GR-V1)\_SIMULATED  
Lamps: 1 x Nichia NF2W757GR-V1



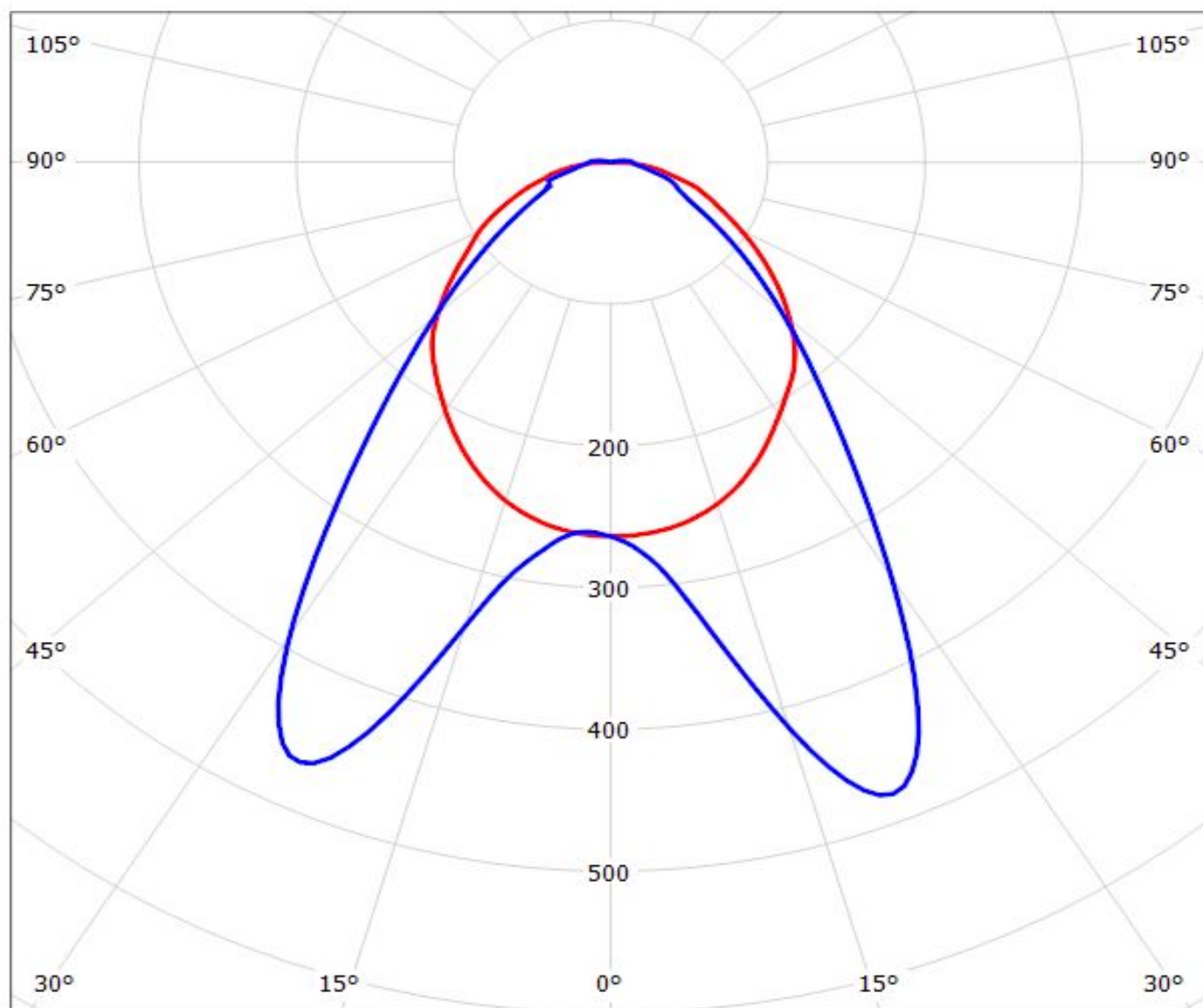
cd/klm

— C0 - C180    — C90 - C270

$\eta = 87\%$

Luminaire: Ledil F15860\_LINNEA-Z2T25\_(LM561B+)\_Cav2

Lamps: 1 x Samsung\_LM561B+\_1370.96lm@250mA\_P=9.12885W\_I=0.25A



cd/klm

— C0 - C180

— C90 - C270

$\eta = 87\%$

**NOTE: The typical divergence will be changed by different color, chip size and chip position tolerance. The typical total divergence is the full angle measured where the luminous intensity is half of the peak value.**