



# PRODUCT DATASHEET

## Linnea series

last update 29/9/2017

### DETAILS

<b>Product Number</b>	F15857_LINNEA-END-FS
<b>Family</b>	Linnea
<b>Type</b>	Accessory
<b>Color</b>	clear
<b>Diameter</b>	mm
<b>Height</b>	9,5 mm
<b>Style</b>	rectang
<b>Optic Material</b>	
<b>Holder Material</b>	
<b>Fastening</b>	
<b>Status</b>	production ready
<b>ROHS Compliant</b>	Yes
<b>Date Updated</b>	29/09/2017



### OPTICAL PROPERTIES

LED	Viewing Angle	Light Beam	Efficiency	cd/lm	Connector
-	N/A deg	-	-	sim: 0.000	-

H G F E D C B A

4

3

2

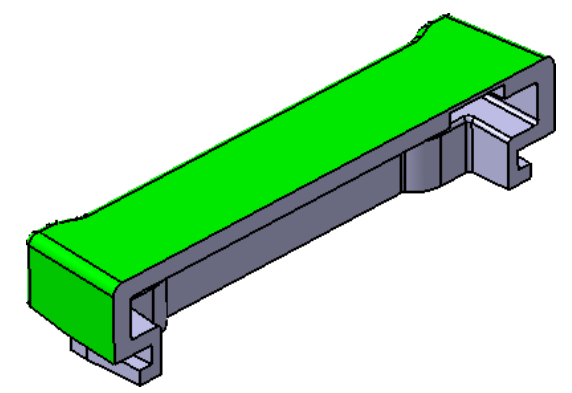
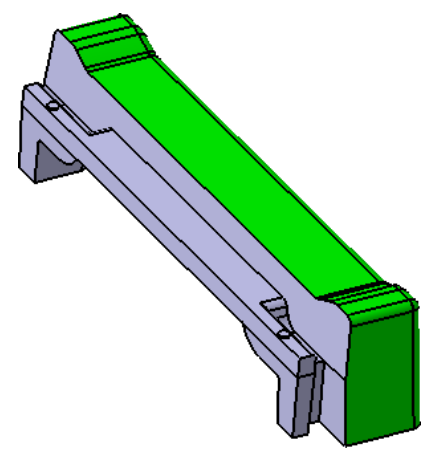
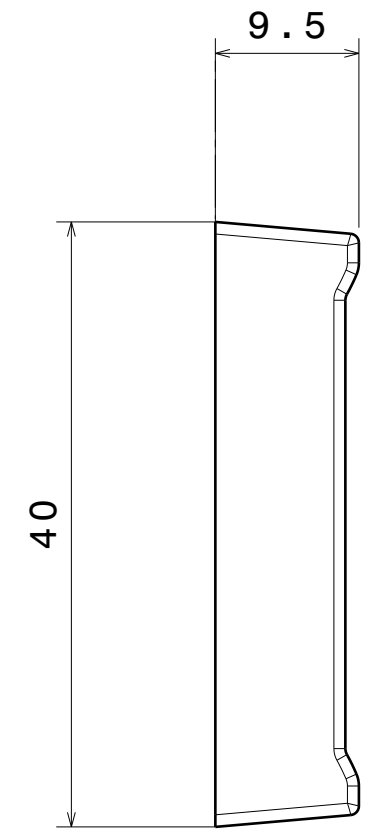
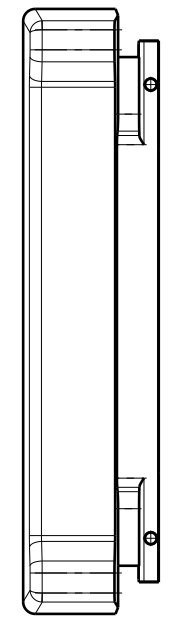
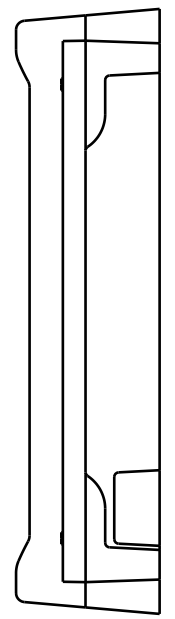
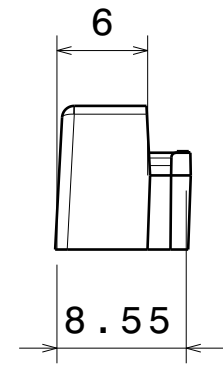
1

4

3

2

1



Section B-B (2:1)

INDEX	PART NO	DESCRIPTION	MATERIAL	COLOUR
1	F15857	LINNEA-END-FS	PC	Clear

Tolerances if not otherwise shown  
According to DIN ISO 2768-1  
Linear measures:  
Up to 30mm class M, otherwise class C.  
According to DIN ISO 2768-2  
Form and position: class L

**LEDiL** LediL Oy  
Salorankatu 10  
FIN 24240 SALO  
Finland

THIRD ANGLE PROJECTION:

DRAWING TITLE  
F15857\_LINNEA-END-FS Datasheet

This drawing is the property of LEDiL Oy. It may not be reproduced, copied or communicated without a written agreement with LEDiL Oy.

SIZE	PART NUMBER
A3	F15857

20160923	SCALE	1:1	WEIGHT	1,47 g	SHEET	1/1
----------	-------	-----	--------	--------	-------	-----

H G B A

**NOTE: The typical divergence will be changed by different color, chip size and chip position tolerance. The typical total divergence is the full angle measured where the luminous intensity is half of the peak value.**