



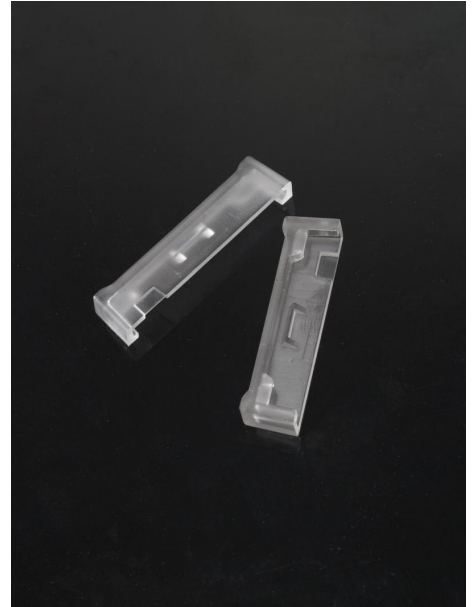
# PRODUCT DATASHEET

## Linnea series

last update 29/9/2017

### DETAILS

<b>Product Number</b>	F15856_LINNEA-END-MS
<b>Family</b>	Linnea
<b>Type</b>	Accessory
<b>Color</b>	clear
<b>Diameter</b>	mm
<b>Height</b>	9,5 mm
<b>Style</b>	
<b>Optic Material</b>	
<b>Holder Material</b>	
<b>Fastening</b>	
<b>Status</b>	production ready
<b>ROHS Compliant</b>	Yes
<b>Date Updated</b>	29/09/2017



### OPTICAL PROPERTIES

LED	Viewing Angle	Light Beam	Efficiency	cd/lm	Connector
-	N/A deg	-	-	sim: 0.000	-

H G F E D C B A

4

3

2

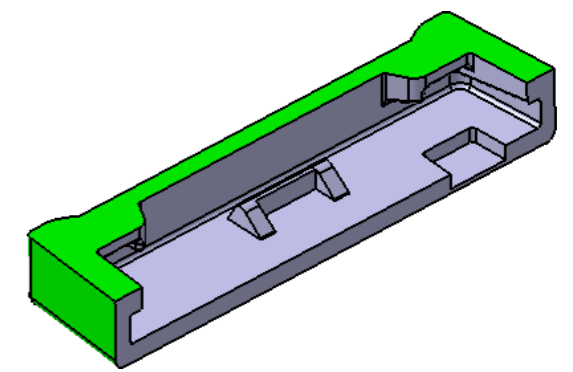
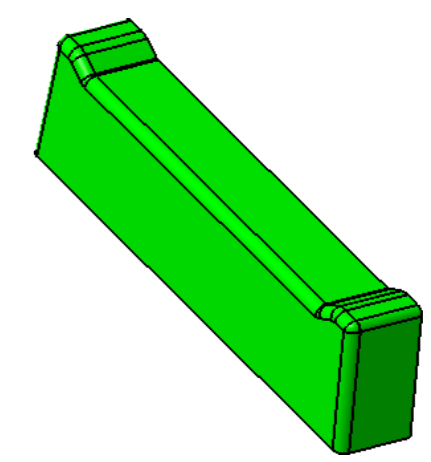
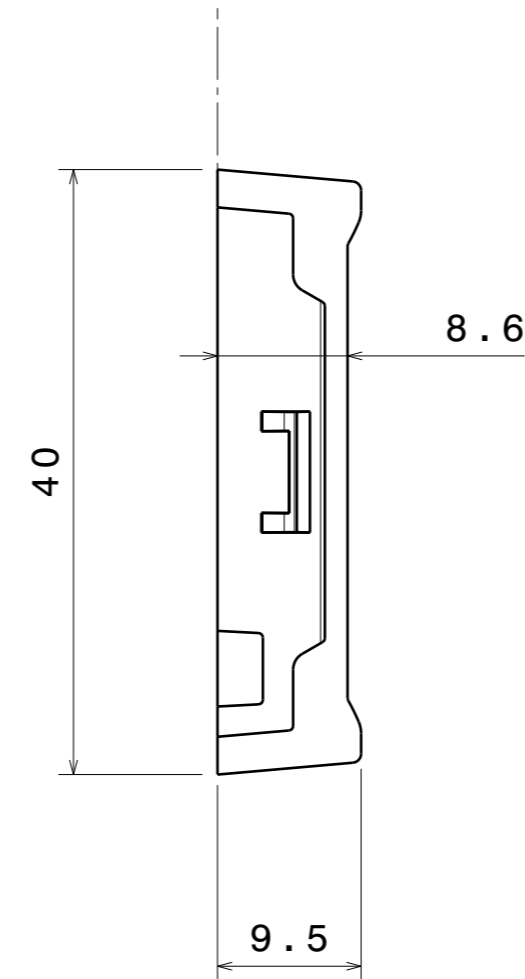
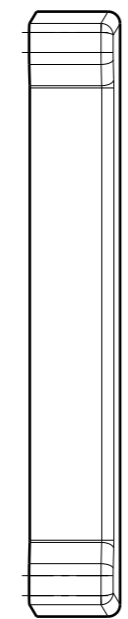
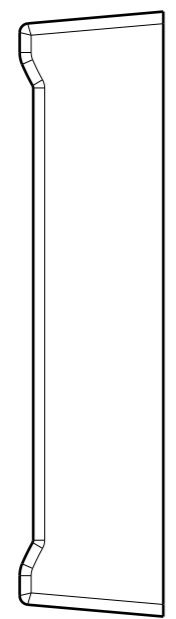
1

4

3

2

1



INDEX	PART NO	DESCRIPTION	MATERIAL	COLOUR
1	F15856	LINNEA-END-MS	PC	Clear

Tolerances if not otherwise shown  
 According to DIN ISO 2768-1  
 Linear measures:  
 Up to 30mm class M, otherwise class C.  
 According to DIN ISO 2768-2  
 Form and position: class L

**LEDiL** LediL Oy  
 Salorankatu 10  
 FIN 24240 SALO  
 Finland

THIRD ANGLE PROJECTION:

DRAWING TITLE  
 F15856\_LINNEA-END-MS Datasheet

This drawing is the property  
 of LEDiL Oy. It may not be  
 reproduced, copied or  
 communicated without a written  
 agreement with LEDiL Oy.

SIZE PART NUMBER  
**A3** **F15856**

20160923 SCALE 1:1 WEIGHT 1,09 g SHEET 1/1

H G B A

**NOTE: The typical divergence will be changed by different color, chip size and chip position tolerance. The typical total divergence is the full angle measured where the luminous intensity is half of the peak value.**