

DETAILS

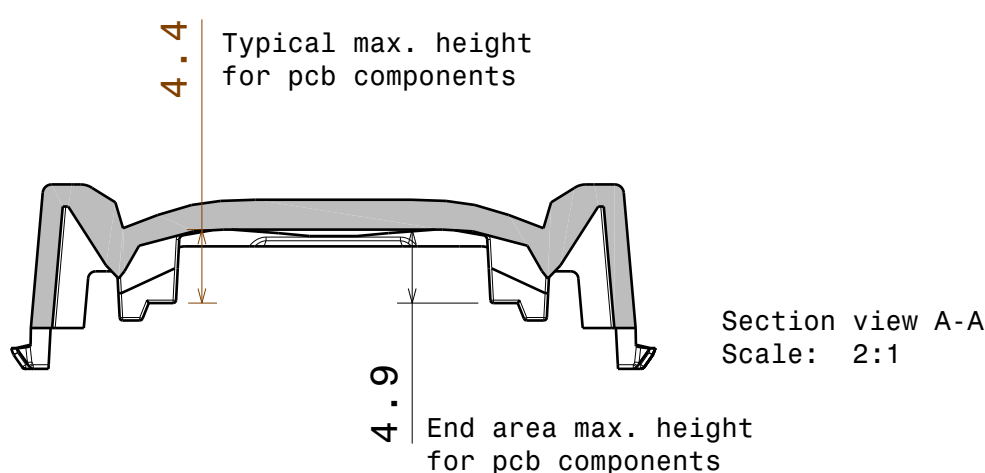
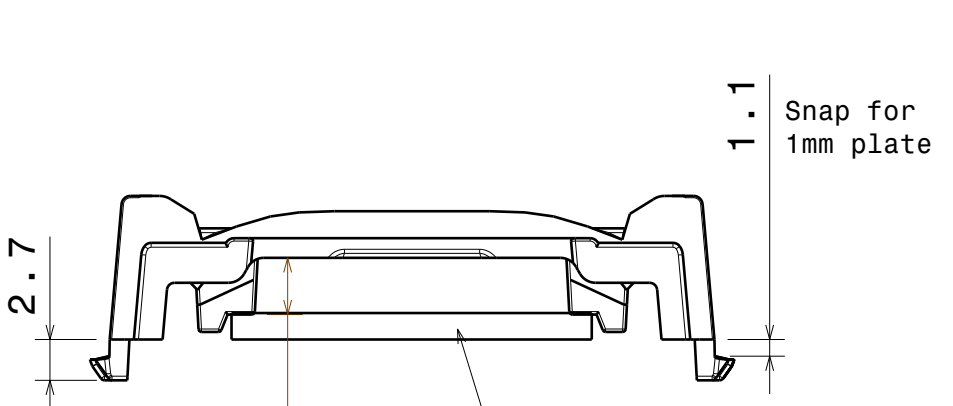
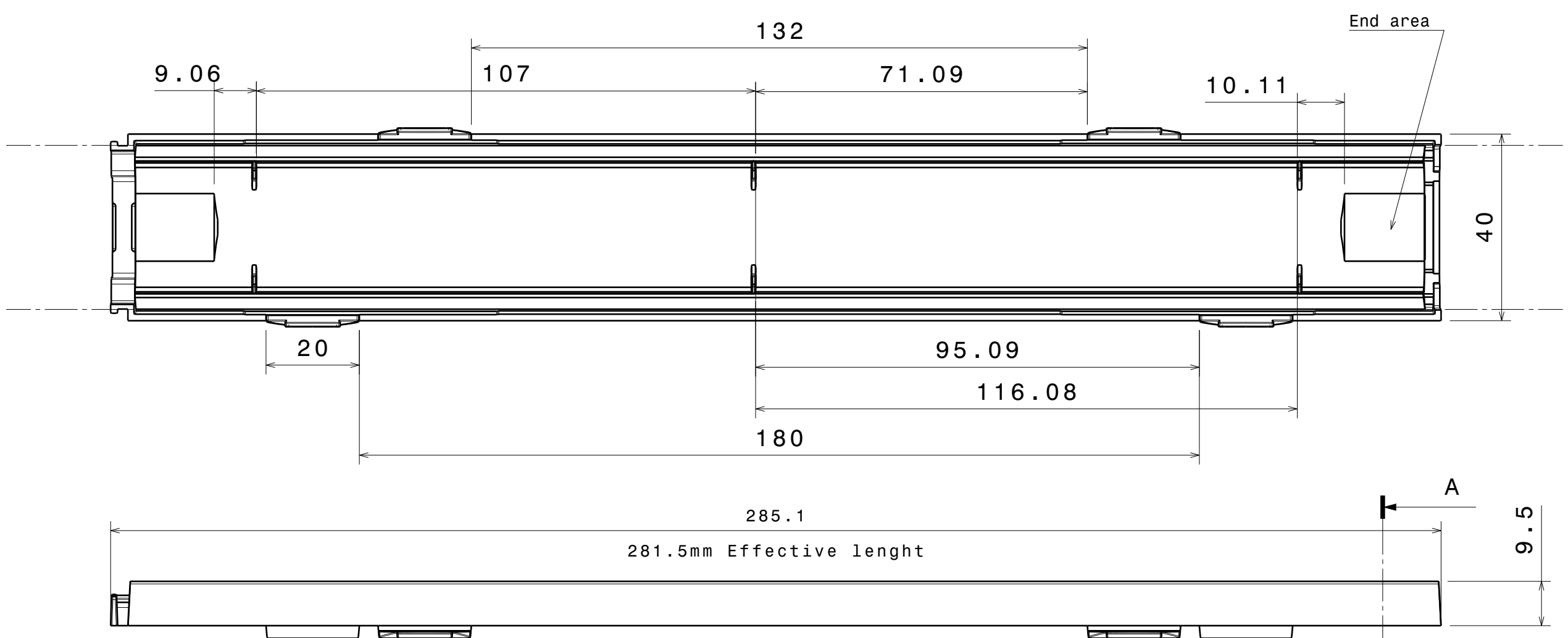
Product Number	F15523_LINNEA-90
Family	Linnea
Type	Lens
Color	clear
Diameter	285x40 mm
Height	9,5 mm
Style	rectang
Optic Material	PC
Holder Material	
Fastening	clips
Status	production ready
ROHS Compliant	Yes
Date Updated	3/08/2017



OPTICAL PROPERTIES

LED	Viewing	Light	Effi-		Connector
	Angle	Beam	ciency	cd/lm	
NF2x757D	86+99 deg	Very Wide	-	0.480	-
NF2x757G	sim: 83+99	Very Wide	sim: 83 %	sim: 0.420	-
Duris E 2835	sim: 83+91	Very Wide	sim: 82 %	sim: 0.430	-
LM561B Plus	88+100 deg	Very Wide	83 %	0.390	-

H G F E D C B A



3.7 Space for wire

INDEX	PART NO	DESCRIPTION	MATERIAL	COLOUR
1	F15523	LINNEA-90	PC	Clear

Tolerances if not otherwise shown
According to DIN ISO 2768-1
Linear measures:
Up to 30mm class M, otherwise class C.
According to DIN ISO 2768-2
Form and position: class L

LEDiL LediL Oy
Salorankatu 10
FIN 24240 SALO
Finland

FIRST ANGLE PROJECTION:

DRAWING TITLE
F15523_LINNEA-90

This drawing is the property of LEDiL Oy. It may not be reproduced, copied or communicated without a written agreement with LEDiL Oy.

SIZE	PART NUMBER	
A3	F15523	

SCALE	1:1	WEIGHT	33,4g	SHEET	1/2
-------	-----	--------	-------	-------	-----

H G B A

H G F E D C B A

4

4

3

3

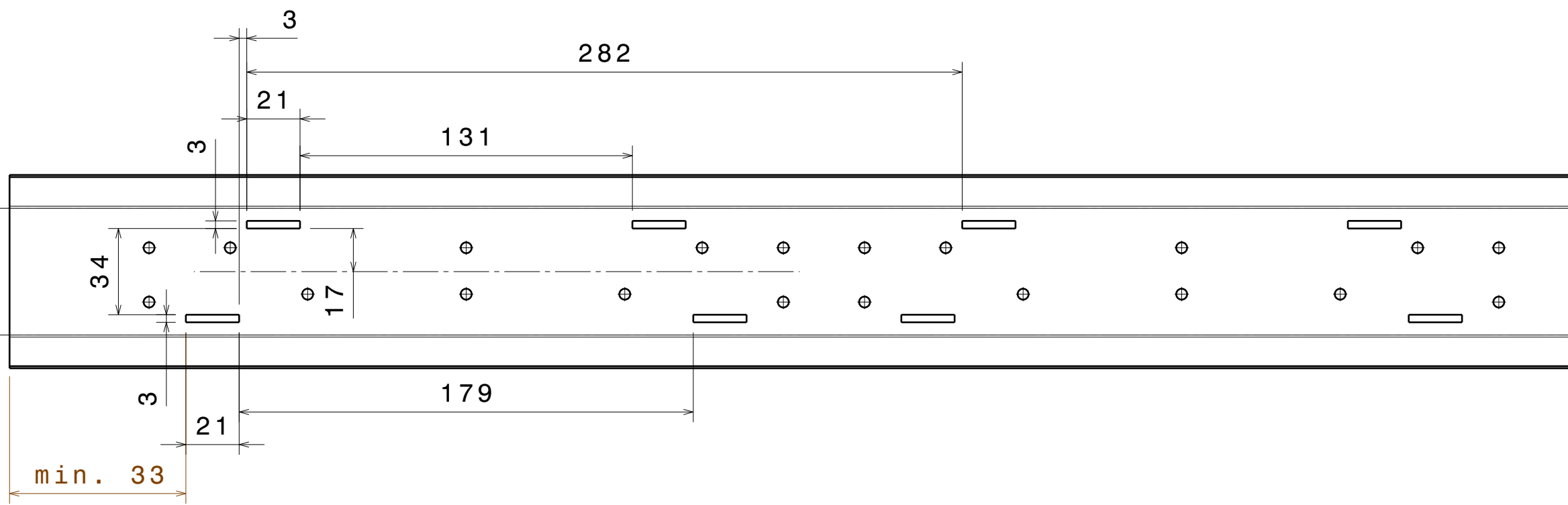
2


2

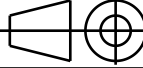
1

1

H G B A

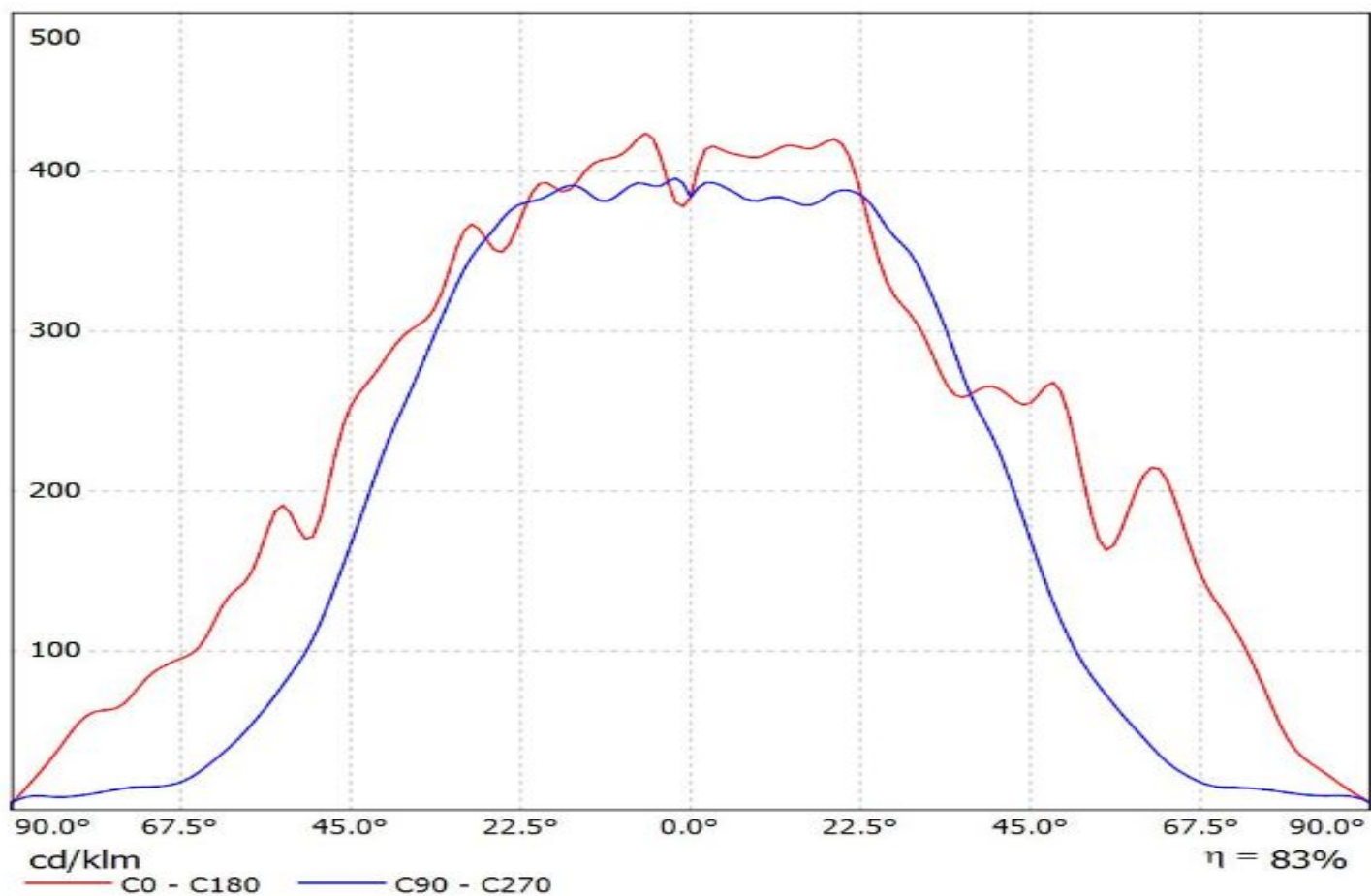


 Ledil Oy Salorankatu 10 FIN 24240 SALO Finland		DRAWING TITLE	
		LINNEA SHEETMETAL CUT OUT	
SIZE	PART NUMBER		
A3	-		
SCALE	1:2	WEIGHT	
		SHEET	2/2

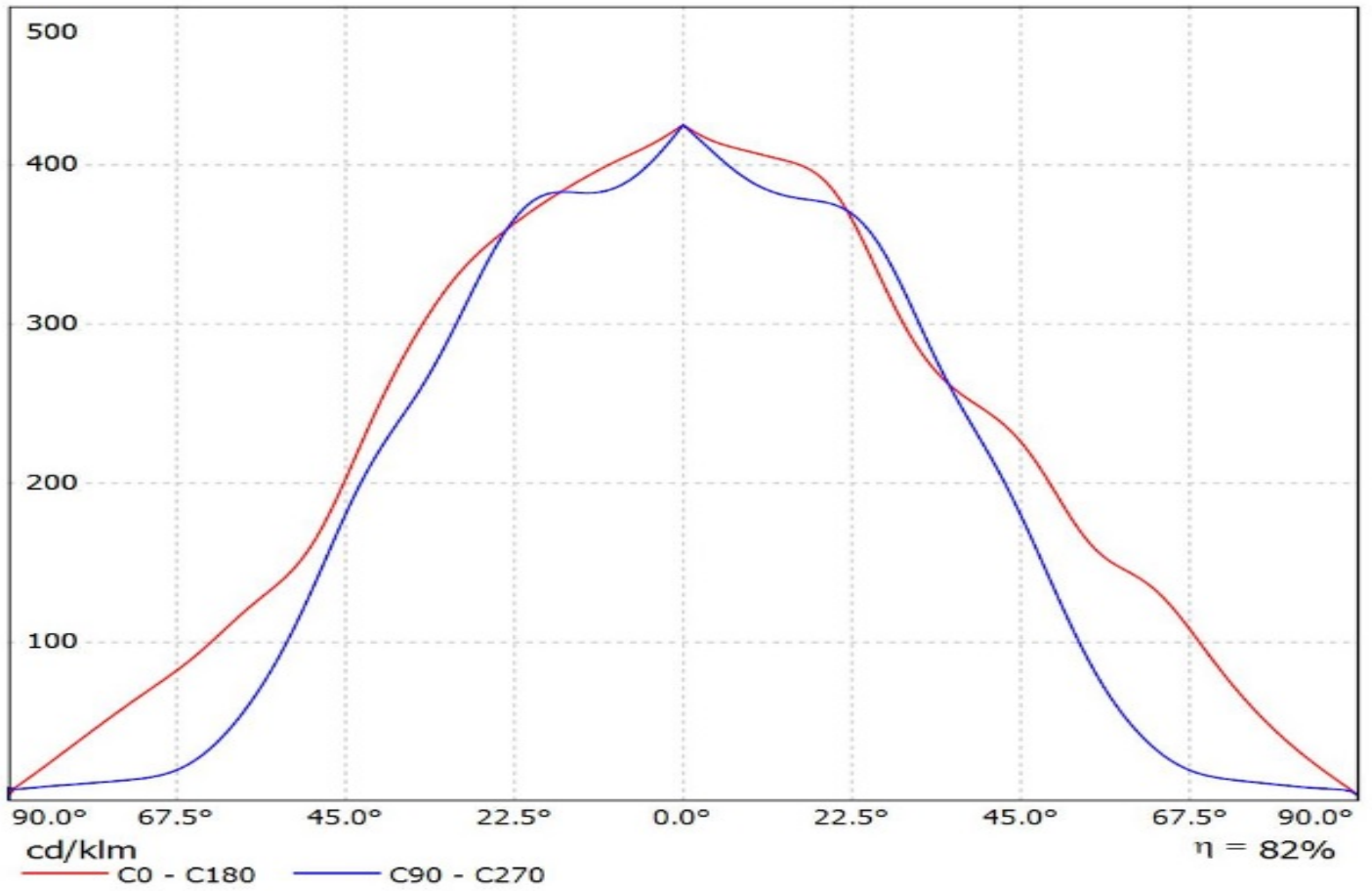
FIRST ANGLE PROJECTION: 

This drawing is the property of LEDiL Oy. It may not be reproduced, copied or communicated without a written agreement with LEDiL Oy.

Luminaire: Ledil Oy F15523_LINNEA-90_(NF2W757GR-V1)_SIMULATED
Lamps: 1 x Nichia NF2W757GR-V1

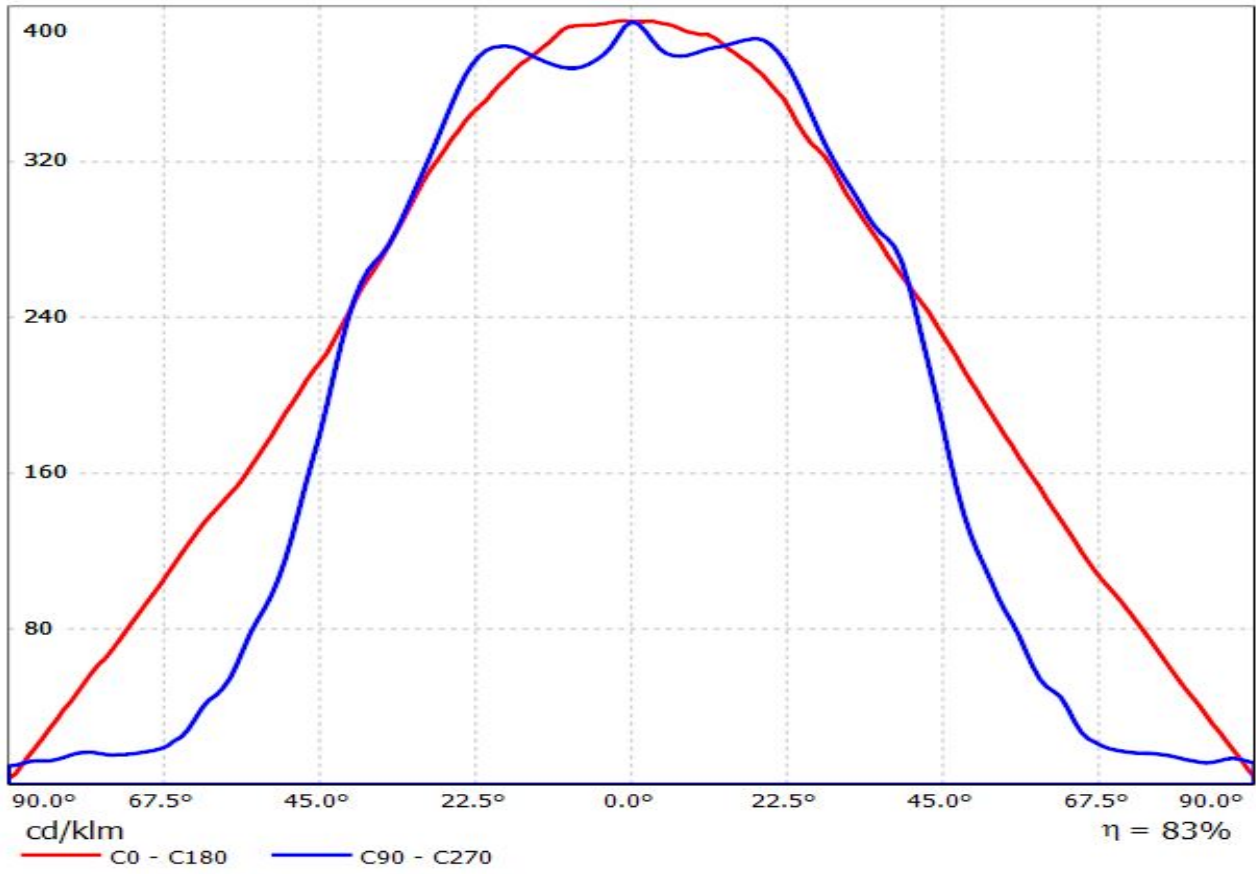


Luminaire: Ledil Oy F15523_LINNEA-90_(Duris_E_2835)_SIMULATED
Lamps: 1 x Osram Duris E 2835 - GW JTLRS1.EM

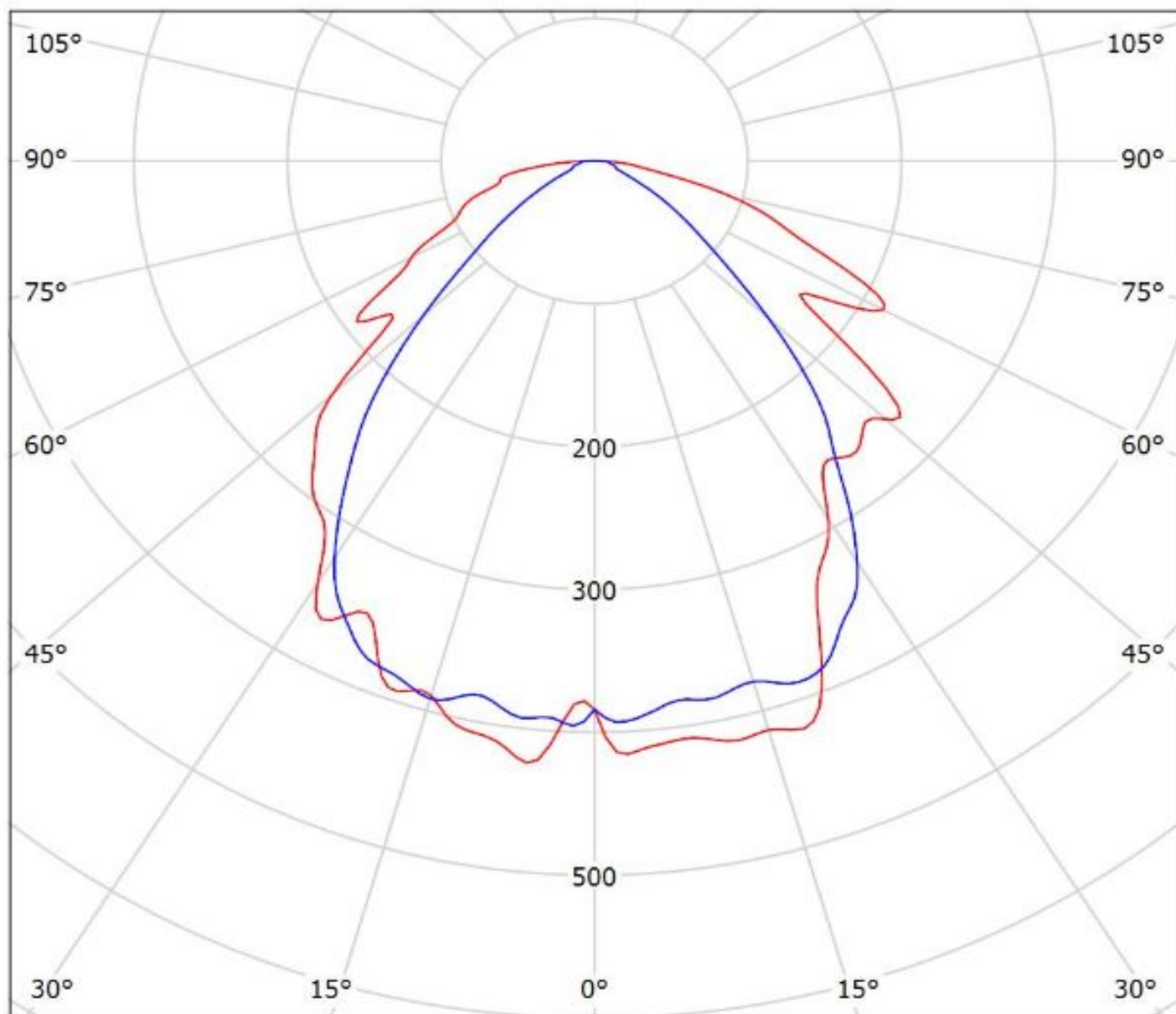


Luminaire: Ledil F15523_LINNEA-90_(LM561B+)

Lamps: 1 x Samsung_LM561B+_1417.99lm@250mA_P=9.152W_I=0.25A



Luminaire: Ledil Oy F15523_LINNEA-90_(NF2W757GR-V1)_SIMULATED
Lamps: 1 x Nichia NF2W757GR-V1

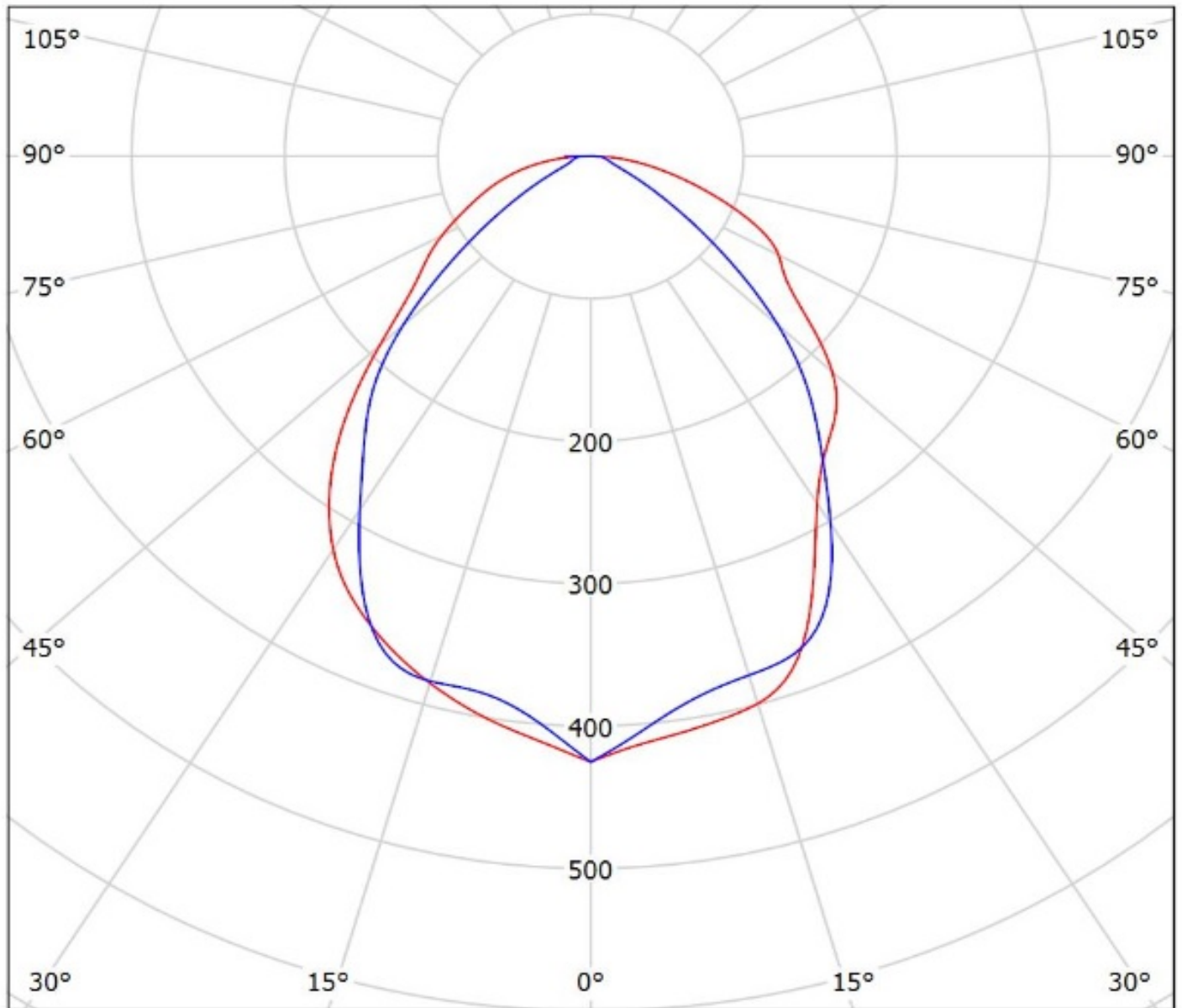


cd/klm

— C0 - C180 — C90 - C270

$\eta = 83\%$

Luminaire: Ledil Oy F15523_LINNEA-90_(Duris_E_2835)_SIMULATED
Lamps: 1 x Osram Duris E 2835 - GW JTLRS1.EM



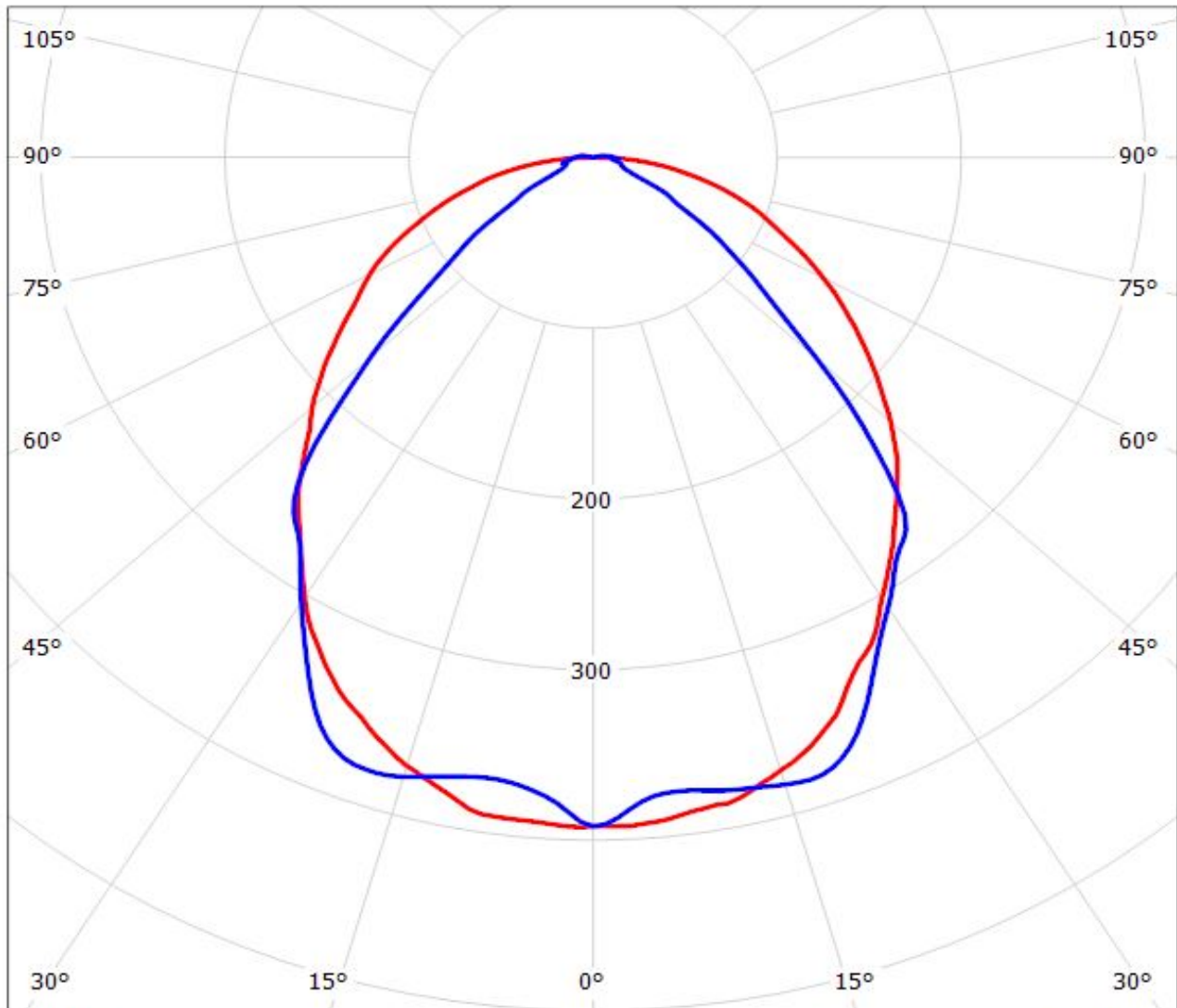
cd/klm

— C0 - C180 — C90 - C270

$\eta = 82\%$

Luminaire: Ledil F15523_LINNEA-90_(LM561B+)

Lamps: 1 x Samsung_LM561B+_1417.99lm@250mA_P=9.152W_I=0.25A



cd/klm

— C0 - C180 — C90 - C270

$\eta = 83\%$

NOTE: The typical divergence will be changed by different color, chip size and chip position tolerance. The typical total divergence is the full angle measured where the luminous intensity is half of the peak value.