

## DETAILS

<b>Product Number</b>	F12237_OSLO-CLUSTER-W
<b>Family</b>	Oslo
<b>Type</b>	Lens array
<b>Color</b>	clear
<b>Diameter</b>	26 mm
<b>Height</b>	6.7 mm
<b>Style</b>	round
<b>Optic Material</b>	PMMA
<b>Holder Material</b>	
<b>Fastening</b>	pin, glue
<b>Status</b>	ready
<b>ROHS Compliant</b>	Yes
<b>Date Updated</b>	14/05/2014



## OPTICAL PROPERTIES

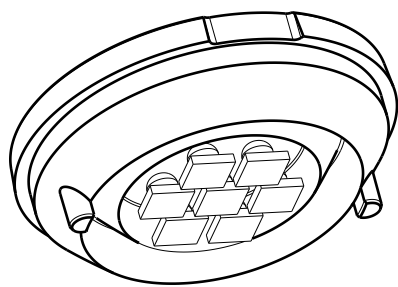
LED	Viewing Angle	Light Beam	Efficiency	cd/lm	Connector
XP-G	sim:	Wide	-	sim: 0.000	-
Oslo SSL 150	sim:	Wide	-	sim: 0.000	-
Oslo SSL 80	64 deg	Wide	91 %	-	-
XP-E	64 deg	Wide	84 %	-	-

D

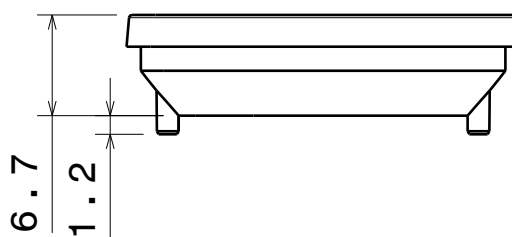
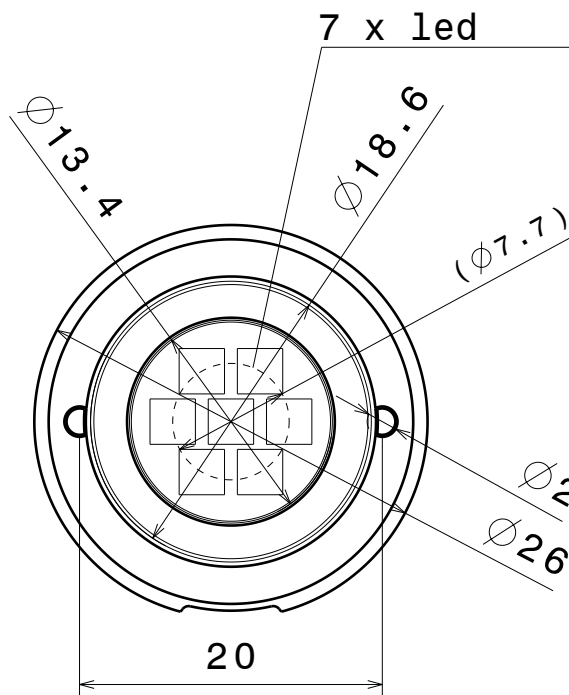
C

B

A



Isometric view  
Scale: 2:1



Material: PMMA  
 Part no.s:  
 F11355\_Oslo-Cluster-W-OSL  
 F11355\_Oslo-Cluster-W-XP  
 F11355\_Oslo-Cluster-W-RE  
 F11355\_Oslo-Cluster-W-N119

This drawing is our property.  
 It can't be reproduced  
 or communicated without  
 our written agreement.



L  
T  
F  
F

e  
e  
i  
i  
N  
n

d  
h

DRAWING TITLE

Datasheet Oslo-Cluster-W Series

DRAWN BY

DATE

p

24.05.2010

CHECKED BY

DATE

t

k

24.05.2010

DESIGNED BY

DATE

hh

24.05.2010

SIZE

A4

DRAWING NUMBER

F11355

REV

1

SCALE

2:1

WEIGHT (g)

SHEET

1/1

D

A

4

4

3

3

2

2

1

1

**NOTE: The typical divergence will be changed by different color, chip size and chip position tolerance. The typical total divergence is the full angle measured where the luminous intensity is half of the peak value.**