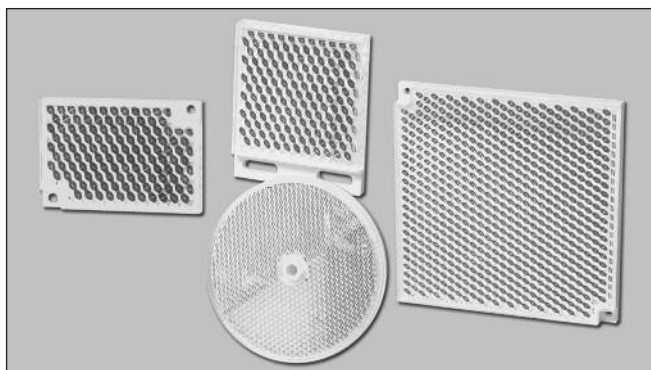


Photoelectrics Accessories Reflectors Type ER



- High quality reflectors for retro-reflective photoelectric switches
- Reflective tape suitable for polarized light
- Heated reflectors for cold storage or freezer installations
- All catalogued photoelectrics use ER 4 as reference for applicable sensing distance

Type Selection

| Size W x H x D | Mounting ¹⁾ | Ordering no. | Reduction factors on distance |
|--|------------------------|-----------------------------|----------------------------------|
| 51.0 x 17.5 x 6.0 | Adhesive | ER 1 | 0.20 |
| 60.0 x 41.0 x 8.0 | 2 x M3 screws | ER 4060 | 0.81 |
| 80.0 x 54.0 x 8.0 | Adhesive | ER 5080 | 0.60 |
| 82.0 x 37.0 x 5.5 | Adhesive | ER 8 | 0.51 |
| 186.0 x 46.5 x 8.0 | 2 x M6 screws | ER 42182 | 0.65 |
| 100.0 x 100.0 x 9.2 | 2 x M3 screws | ER 100 | 1.20 |
| 84.5 x 84.5 x 9.0 | 2 x M3 screws | ER 840 | 0.96 |
| 51.5 x 61.0 x 8.0 | 2 x M4 screws | ER 5060 | 0.80 |
| 23.5 x 47.5 x 8.0 | 2 x M3.5 screws | ER 390 | 0.39 |
| 32.5 x 65.0 x 8.0 | 2 x M3.5 screws | ER 483 | 0.55 |
| 19.0 x 72.5 x 8.4 | 2 x M3.5 screws | ER 530 | 0.45 |
| 55.3 x 126.0 x 9.0 | 2 x M6 screws | ER 686 | 0.92 |
| 18.5 x 120.0 x 6.5 | 2 x M4 screws | ER 665 | 0.45 |
| 13.0 x 17.0 x 5.0 | Adhesive | ER 640 | 0.16 |
| 52.0 x 119.0 x 27.0 | 4 x M4 screws | ER 681 ²⁾ | 0.92 |
| Ø 35.0 x 5.5 | Adhesive | ER 692 | 0.53 |
| Ø 84.0 x 7.4 | 1 x M4 screw | ER 4 | 1.00 |
| Ø 25.0 x 5.0 | Adhesive | ER 689 | 0.39 |
| Ø 42.0 x 6.0 | Adhesive | ER 420 | 0.54 |
| Ø 42.0 x 60.0 x 6.8 | 2 x M3.5 screws | ER 423 | 0.54 |
| Ø 46.0 x 6.5 | Adhesive | ER 460 | 0.55 |
| Reflective tape | | | |
| 25 mm wide x 45.7 meters long (1 roll) | | ERT 25 | 0.23 (25 x25 mm) |
| 50 mm wide x 45.7 meters long (1 roll) | | ERT 50 | 0.34 (50 x 50 mm) |

¹⁾ Mounting material not included

²⁾ (internal heating)

Reflectors

Material: PMMA/ABS

Temperature range: -20 to +60 degree C

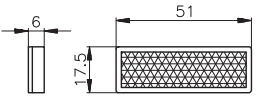
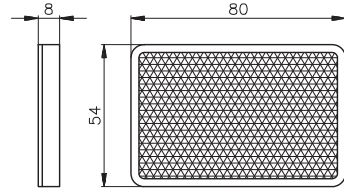
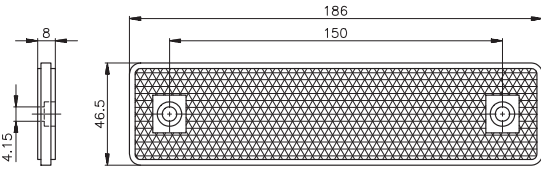
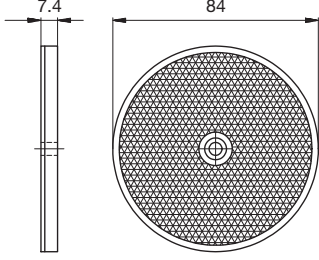
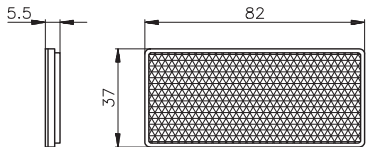
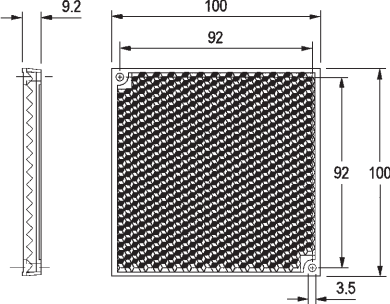
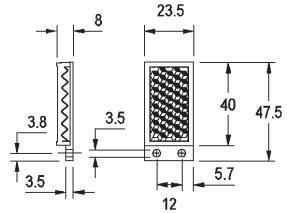
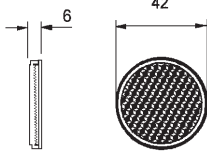
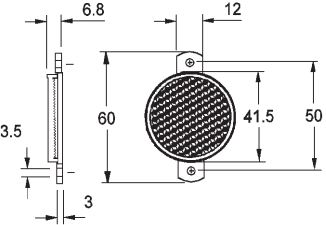
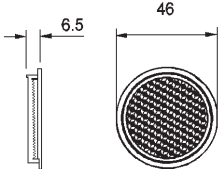
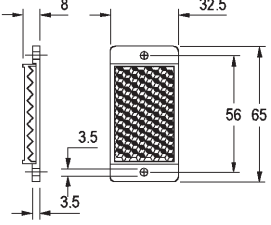
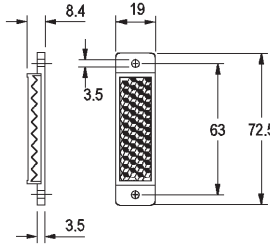
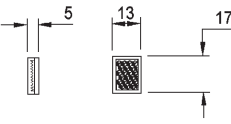
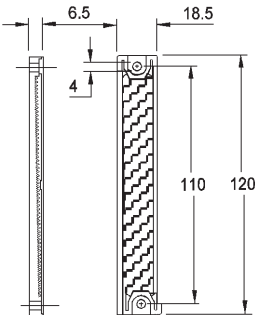
Degree of protection: IP69K

Reflective tape

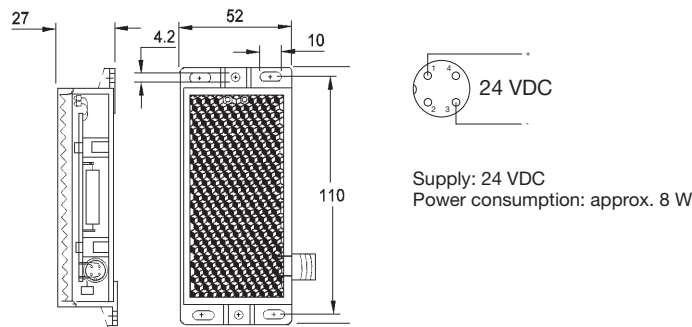
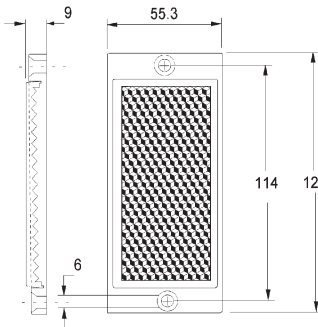
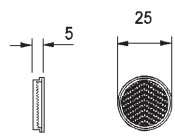
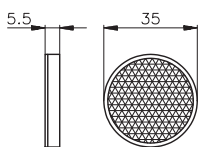
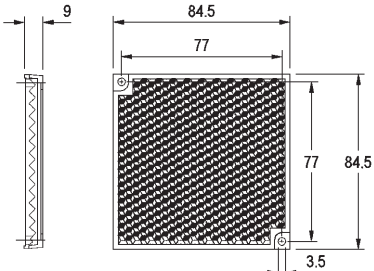
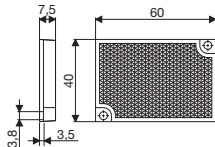
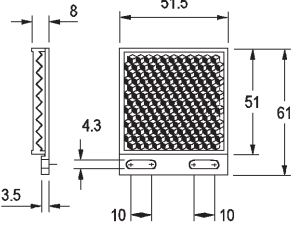
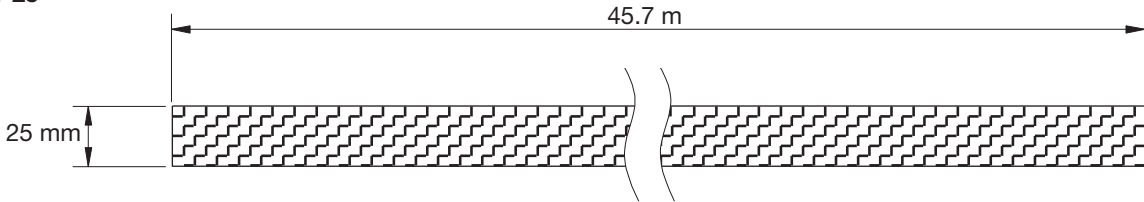
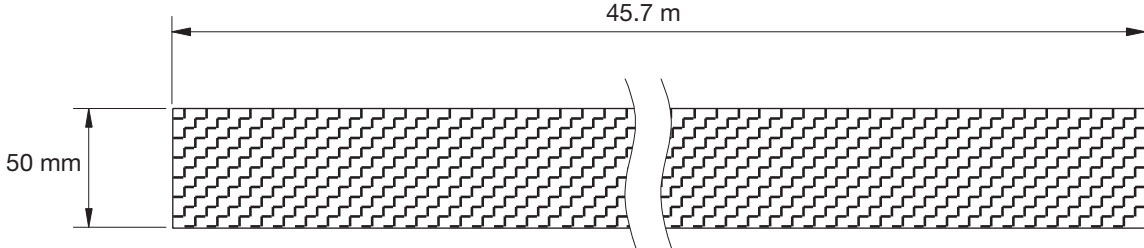
Material: PMMA (Acrylic)

Temperature range: -20 to +50 degree C

Dimensions

| | | |
|--|--|--|
| <p>ER 1</p>  | <p>ER 5080</p>  | <p>ER 42182</p>  |
| <p>ER 4</p>  | | <p>ER 8</p>  |
| <p>ER 100</p>  | <p>ER 390</p>  | <p>ER 420</p>  |
| <p>ER 423</p>  | <p>ER 460</p>  | <p>ER 483</p>  |
| <p>ER 530</p>  | <p>ER 640</p>  | <p>ER 665</p>  |

Dimensions (cont.)

| | | |
|---|---|---|
| <p>ER 681</p>  <p>24 VDC</p> <p>Supply: 24 VDC Power consumption: approx. 8 W</p> | <p>ER 686</p>  | |
| <p>ER 689</p>  | <p>ER 692</p>  | <p>ER 840</p>  |
| <p>ER 4060</p>  | <p>ER 5060</p>  | |
| <p>ERT 25</p>  <p>25 mm</p> <p>45.7 m</p> | | |
| <p>ERT 50</p>  <p>50 mm</p> <p>45.7 m</p> | | |