

# POLAM-ELTA Sp. z o.o.

LED DIODES  
LED CONTROL LAMPS

[www.polamelta.com](http://www.polamelta.com)

e-mail: [polamelta@polamelta.com.pl](mailto:polamelta@polamelta.com.pl)

Jerozolimskie Avenue 202  
02-486 Warsaw, POLAND  
tel. (+48) 22-837-22-07  
fax (+48) 22-207-24-28



## COMPLIANCE DECLARATION NR 3/09/2007

**Producer:** POLAM-ELTA Sp. z o.o.  
Jerozolimskie Avenue 202  
02-486 Warsaw

**KRS Nr:** 0000190790  
**REGON:** 001416903

We declare with a full responsibility that **LED signal lamps  $\phi 20$**  we manufacture:

**LG , LW , LY , LR , LB , LO , LRG , LRY , LYG , LRGY** (parameters in accordance with catalogue data) comply requirements imposed by:

**1. Low Voltage Directive**

LVD 2006/95/WE

**2. The standard norms (relating to the particular parts of a product):**

- PN EN 612 36:2002 Works under voltage – bipolar indexes Nn
- PN-E-90500-1:2001 Wires of polyvinyl chloride insulation 450/750
- PN-80/E-85050 miniature light bulbs of general use
- PN-EN 983:2000 miniature light bulbs

**The year of obtaining CE sign: 07**

Warszawa 10.09.2007

.....  
*Miejsce i data wystawienia*

PREZES ZARZĄDU

*Ireneusz Tonder*

.....  
*Nazwisko, stanowisko i podpis  
osoby upoważnionej*

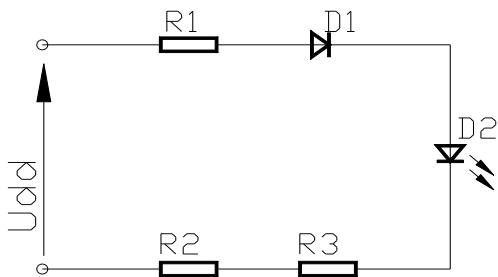
## 1. Product description:

The declaration is concerned about LED signal lamps produced for a number of voltage ranging 24V-230V – AC (24 V; 30 V; 48V; 60V; 110V; 220V; 230V). The lamps are designed for electric accessories use.

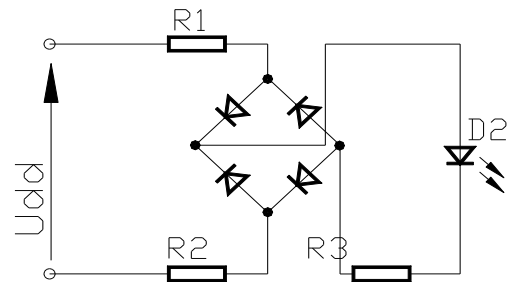
## 2. Technological documentation:

All the signal LED lamps are based on the following circuitry

### Half-wave rectifier

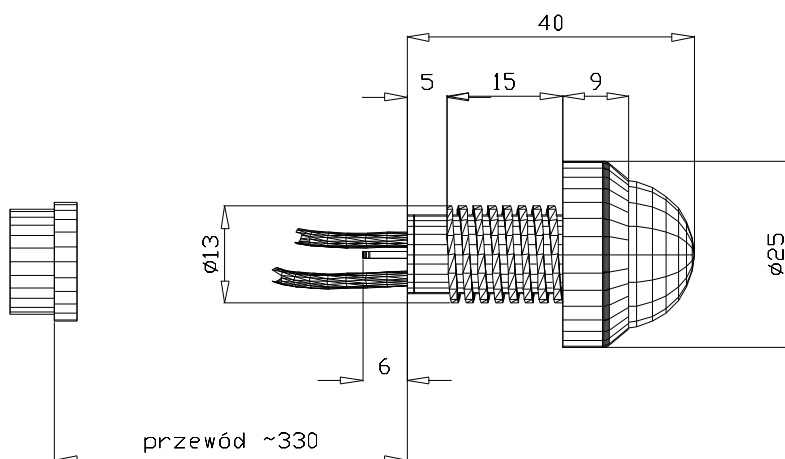


### Full-wave rectifier



The elements of casings are made from ABS material. Electric connections are made on glass-epoxy laminate of 1 mm ply. The main wire LGY 0,5v is of 0,5 mm<sup>2</sup> section 450V / 750 V or connectors j 2.8. Tightness level lamp: IP40. Ambient temperature: -40°C to +70°C. For 230 V-AC voltage, power consumption is 0,8W and for 24V-AC, it is 0,25 W.

### - signal lamp $\phi 20$



## LED CONTROL LAMPS $\phi 20$



### Technical parameters of lamps (230V-AC)

Color	Luminosity (mcd)	Wave length (nm)	Power
red [R] mat	200 - 240	635	0,8 W
green [G] mat	150 - 180	530	0,8 W
yellow [Y] mat	160 - 190	590	0,8 W
orange [O] mat	130 - 150	610	0,8 W
blue [B] mat	90 - 110	470	0,8 W
white [W] mat	300 - 340	-	0,8 W

mat :  $201/2 = 180^{\circ}$ ,  $P = 0,8 \text{ W}$

### Technical parameters of lamps (24V-AC/DC)

Color	Luminosity (mcd)	Wave length (nm)	Power AC/DC
red [R] mat	1000 - 1200	635	0,5 W
green [G] mat	500 - 700	530	0,5 W
yellow [Y] mat	900 - 1100	590	0,5 W
orange [O] mat	600 - 800	610	0,5 W
blue [B] mat	400 - 500	470	0,5 W
white [W] mat	1300 - 1600	-	0,5 W

mat :  $201/2 = 180^{\circ}$ ,  $P = 0,5 \text{ W}$

*Date of modernization: 09-03-2012*