

POLAM-ELTA Sp. z o.o.

LED DIODES
LED CONTROL LAMPS

www.polamelta.com

e-mail: polamelta@polamelta.com.pl

Jerozolimskie Avenue 202
02-486 Warsaw, POLAND
tel. (+48) 22-837-22-07
fax (+48) 22-207-24-28



COMPLIANCE DECLARATION NR 2/09/2007

Producer: POLAM-ELTA Sp. z o.o.
Jerozolimskie Avenue 202
02-486 Warsaw

KRS Nr: 0000190790
REGON: 001416903

We declare with a full responsibility that **LED signal lamps $\phi 10$** we manufacture:

LG , LW , LY , LR , LB , LO , LRG , LRY , LYG , LRGY (parameters in accordance with catalogue data) comply requirements imposed by:

1. Low Voltage Directive

LVD 2006/95/WE

2. The standard norms (relating to the particular parts of a product):

- PN EN 612 36:2002 Works under voltage – bipolar indexes Nn
- PN-E-90500-1:2001 Wires of polyvinyl chloride insulation 450/750
- PN-80/E-85050 miniature light bulbs of general use
- PN-EN 983:2000 miniature light bulbs

The year of obtaining CE sign: 07

Warszawa 10.09.2007

.....
Miejsce i data wystawienia

PREZES ZARZĄDU

Ireneusz Tonder

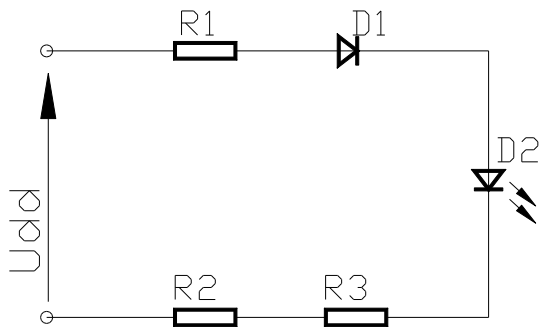
.....
*Nazwisko, stanowisko i podpis
osoby upoważnionej*

1. Product description:

The declaration is concerned about LED signal lamps produced for a number of voltage ranging 24V-230V – AC (24 V; 30 V; 48V; 60V; 110V; 220V; 230V). The lamps are designed for electric accessories use.

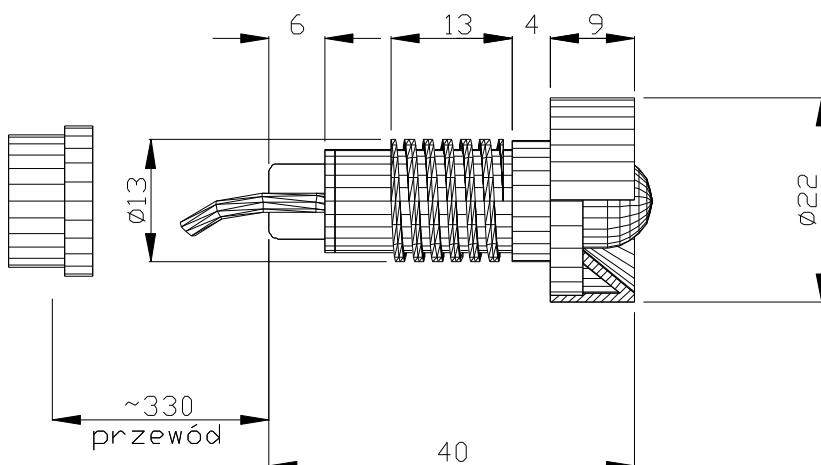
2. Technological documentation:

All the signal LED lamps are based on the following circuitry:
Half-wave rectifier



The elements of casings are made from ABS material. Electric connections are made on glass-epoxy laminate of 1 mm ply. The main wire LGY 0,5v is of 0,5 mm² section 450V / 750 V or connectors j 2.8. Tightness level lamp: IP40. Ambient temperature: -40°C to +70°C. For 230 V-AC voltage, power consumption is 0,8W and for 24V-AC, it is 0,25 W.

- signal lamp $\phi 10$



LED CONTROL LAMPS $\phi 10$



Technical parameters of lamps (230V-AC)

Color	Luminosity (mcd)	Wave length (nm)	Power
red standard [R] mat	110 – 130	635	0,8 W
red super [R] mat	180 - 210	635	0,8 W
green [G] mat	400 - 500	530	0,8 W
yellow standard [Y] mat	110 - 130	590	0,8 W
yellow super [Y] mat	250 - 300	590	0,8 W
orange [O] mat	150 - 180	610	0,8 W
blue [B] mat	130 - 170	470	0,8 W
white [W] mat	750 - 1000	-	0,8 W

mat : $201/2 = 180^\circ$, P = 0,8 W

Technical parameters of lamps (24V-AC/DC)

Color	Luminosity (mcd)	Wave length (nm)	Power AC/DC
red standard [R] mat	290 - 350	635	0,25 / 0,5 W
red super [R] mat	450 - 550	635	0,25 / 0,5 W
green [G] mat	700 - 900	530	0,25 / 0,5 W
yellow standard [Y] mat	260 - 330	590	0,25 / 0,5 W
yellow super [Y] mat	700 - 800	590	0,25 / 0,5 W
orange [O] mat	400 - 500	610	0,25 / 0,5 W
blue [B] mat	320 - 400	470	0,25 / 0,5 W
white [W] mat	1700 - 2000	-	0,25 / 0,5 W

mat : $201/2 = 180^\circ$, P = 0,25 / 0,5 W

Date of modernization: 09-03-2012