

SENSORTECH

PERFORMANCE

Range	0 - 500 ppm
Maximum overload.....	1500 ppm CO
Sensitivity.....	55 - 85 nA/ppm CO
Zero in air at 20 °C.....	<±3.1 ppm CO
Resolution.....	1 ppm CO
Linearity	linear across range
Response time, t90	<30 s
Long-term output drift.....	<2% signal/month
Warranty	2 years

OPERATING CONDITIONS

Temperature range	-20 to +50 °C
Operating humidity.....	15 - 90% RH (non-condensing)
Pressure range	90 - 110 kPa (nominal)
Operating circuit.....	see Electrochemical Toxic Sensor Application Note
Applied potential	0 V
Storage life.....	6 months in original packaging (0 - 25 °C)

PHYSICAL CHARACTERISTICS

Label colour	silver
Weight.....	5 g approx.
Dimensions	see outline

This device is designed to be RoHS compliant.

CROSS-SENSITIVITY DATA

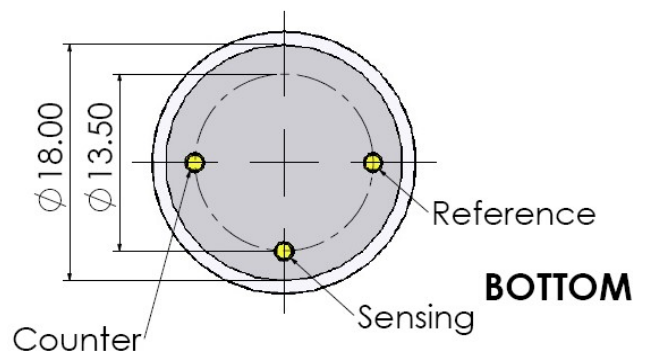
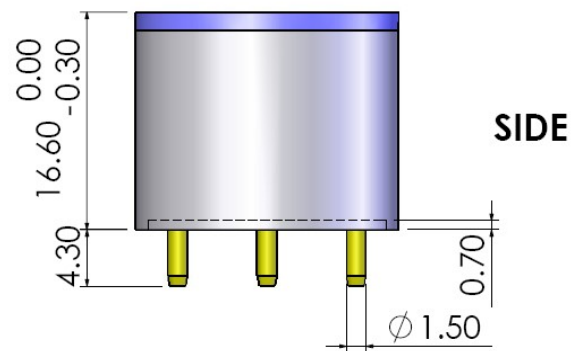
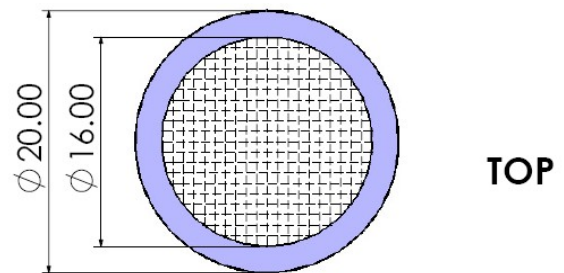
GAS	Concentration (ppm)	Sensor Response (As ppm CO)
Hydrogen Sulfide	24	0
Sulfur Dioxide	5	0
Chlorine	10	0 to 1
Nitric Oxide	25	0
Nitrogen Dioxide	5	0
Hydrogen	100	<40
Ethene	100	<16

Important Note

Do not solder to the connector pins as this may damage the sensor and thereby invalidate the warranty.

Details on recommended connector pins can be found in the Frequently Asked Questions within the Gas Sensor section of the SGX website.

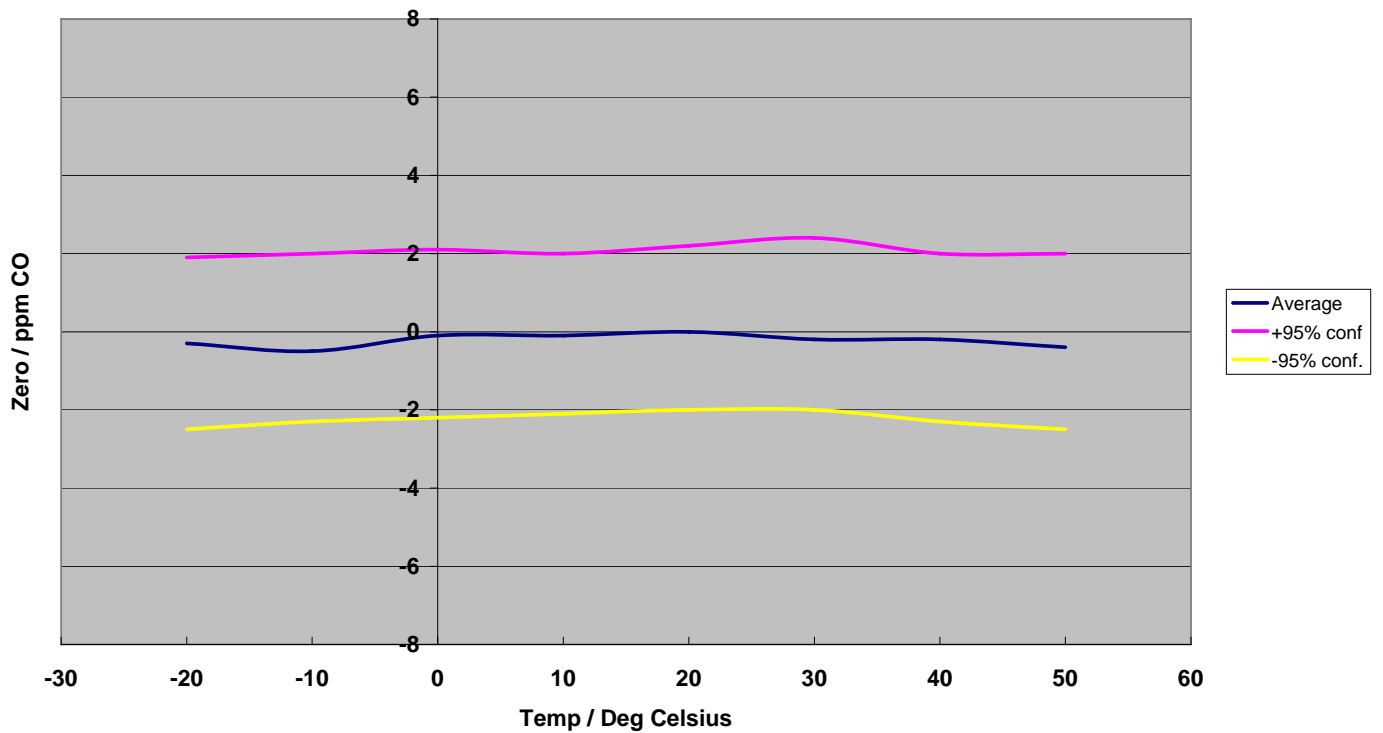
OUTLINE



All dimensions in mm.
All tolerances ±0.15mm unless otherwise stated.

TEMPERATURE DEPENDENCE

EC-4-500-CO Graph of Zero vs Temperature



EC-4-500-CO Graph of Net Sensitivity vs Temperature

