

**PERFORMANCE**

Range .....	0 - 2000 ppm
Maximum overload .....	10000 ppm
Sensitivity.....	21 - 64 nA/ppm NO
Zero in air at 20 °C.....	-1 to +67 ppm NO
Zero deviation (-20 to +50 °C) .....	-2 to +10 ppm NO
Resolution.....	0.5 ppm NO
Linearity .....	linear across range
Response time, t90.....	<60 s
Long-term output drift .....	<2% signal/month
Warranty .....	2 years

**OPERATING CONDITIONS**

Temperature range .....	-20 to +50 °C
Operating humidity.....	15 - 90% RH (non-condensing)
Pressure range .....	90 - 110 kPa (nominal)
Operating circuit.....	see Electrochemical Toxic Sensor Application Note
Applied potential .....	+300 mV
Storage life.....	6 months in original packaging (0 - 25 °C)

**PHYSICAL CHARACTERISTICS**

Label colour .....	silver
Weight.....	5 g approx.
Dimensions .....	see outline

This device is designed to be RoHS compliant.

**CROSS-SENSITIVITY DATA**

TBA

**TEMPERATURE DEPENDENCE**

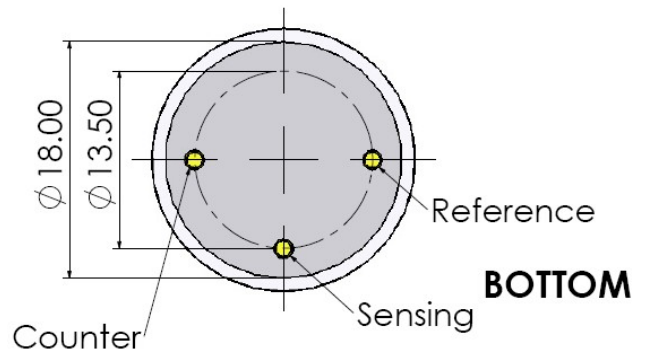
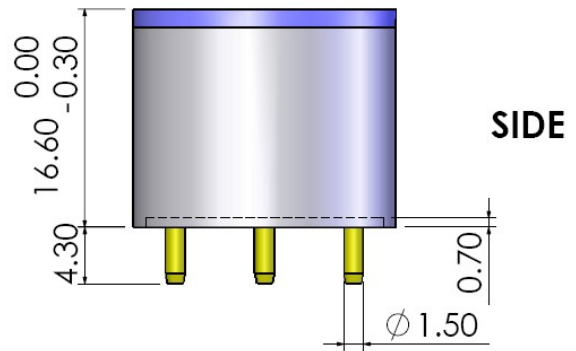
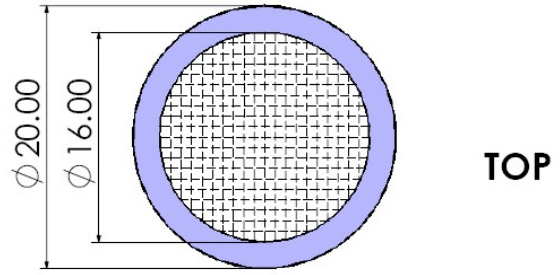
TBA

**Important Note**

Do not solder to the connector pins as this may damage the sensor and thereby invalidate the warranty.

Details on recommended connector pins can be found in the Frequently Asked Questions within the Gas Sensor section of the SGX website.

**OUTLINE**



All dimensions in mm.  
All tolerances  $\pm 0.15$ mm unless otherwise stated.