

## PERFORMANCE

Range ..... 0 - 1000 ppm  
 Maximum overload..... 2000 ppm  
 Sensitivity..... 10 - 30 nA/ppm H2  
 Zero in air at 20 °C..... <±20 ppm H2  
 Resolution..... 10 ppm H2  
 Linearity .....linear across range  
 Response time, t90..... <70 s  
 Long-term output drift.....<2% signal/month  
 Warranty ..... 2 years

## OPERATING CONDITIONS

Temperature range .....-20 to +50 °C  
 Operating humidity..... 15 - 90% RH (non-condensing)  
 Pressure range ..... 90 - 110 kPa (nominal)  
 Operating circuit..... see Electrochemical Toxic Sensor  
 Application Note  
 Applied potential .....0 V  
 Storage life..... 6 months in original packaging (0 - 25 °C)

## PHYSICAL CHARACTERISTICS

Label colour .....silver  
 Weight..... 5 g approx.  
 Dimensions ..... see outline

This device is designed to be RoHS compliant.

## CROSS-SENSITIVITY DATA

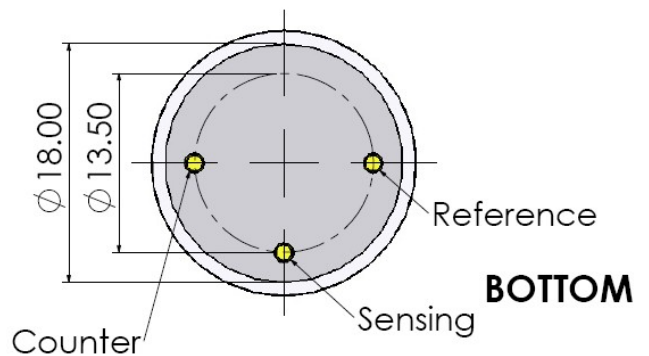
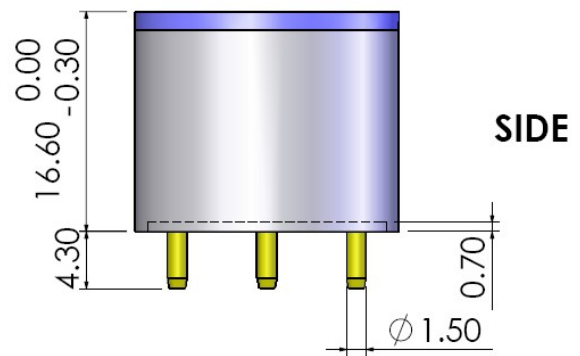
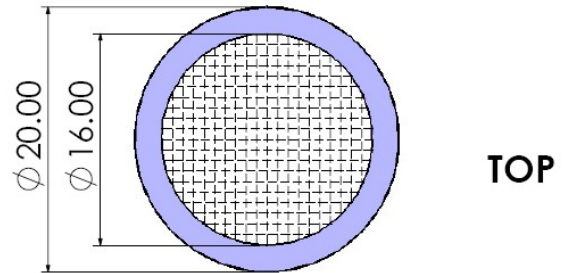
GAS	Concentration (ppm)	Sensor Response (As ppm H2)
Carbon Monoxide	50	200
Hydrogen Sulfide	24	0
Sulfur Dioxide	5	0
Nitric Oxide	35	<10
Nitrogen Dioxide	5	0
Ethene	100	80
Chlorine	10	0

### Important Note

Do not solder to the connector pins as this may damage the sensor and thereby invalidate the warranty.

Details on recommended connector pins can be found in the Frequently Asked Questions within the Gas Sensor section of the SGX website.

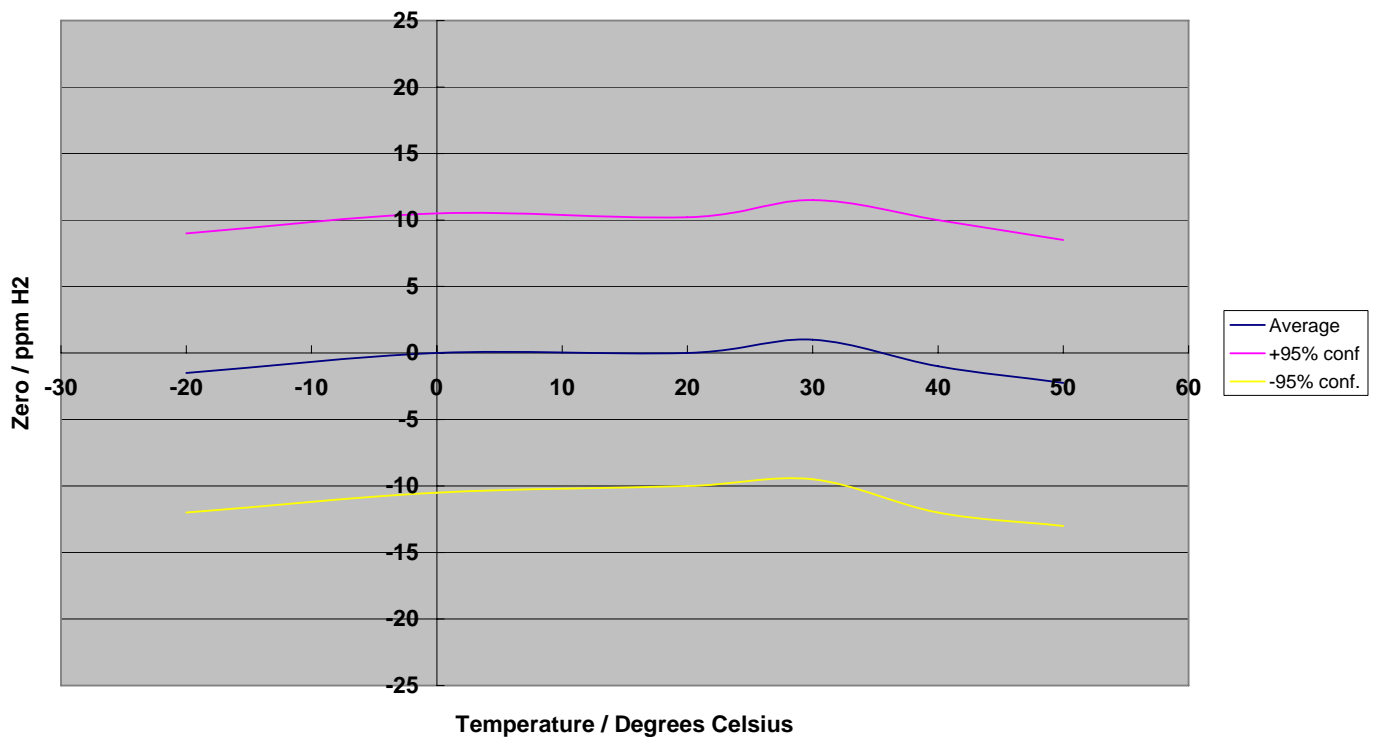
## OUTLINE



All dimensions in mm.  
 All tolerances ±0.15mm unless otherwise stated.

# TEMPERATURE DEPENDENCE

## EC4-1000-H2 Graph of Zero vs Temperature



## EC4-1000-H2 Graph of Sensitivity vs Temperature

