

Rod ends with female thread: EBRM and EBLM



- Maintenance-free, self-lubricating
- High strength under impact loads
- Very high tensile strength for varying loads
- Compensation of misalignment
- Compensation of edge loads
- Insensitive to dirt, dust and lint
- Corrosion- and chemical-resistant
- High vibration-dampening capacity
- Suitable for rotating, oscillating and linear movements
- Light weight
- Dimensional series E according to standard DIN ISO 12240
- 50 % higher tensile force possible due to metal inlay (only dimension 16, more dimensions on request)
- For temperatures up to +200°C we recommend EBRM-HT and EBLM-HT ► [page 734](#)

Technical Data

Part number		Max. static tensile strength		Max. static radial load		Min. thread depth	Max. torque strength	Max. torque through ball	Weight
Right-hand thread	Left-hand thread	Short term [N]	Long term [N]	Short term [N]	Long term [N]	Thread [mm]	Inner threading [Nm]	[Nm]	[g]
EBRM-04	EBLM-04	800	400	100	50	7	0.4	2.0	1.8
EBRM-05	EBLM-05	1,300	650	150	75	8	0.5	2.0	3.2
EBRM-06	EBLM-06	1,500	750	200	100	8	1.5	2.5	4.0
EBRM-08	EBLM-08	2,000	1,000	450	225	11	5.0	7.0	6.9
EBRM-10	EBLM-10	2,300	1,150	500	250	13	15.0	14.0	11.2
EBRM-10 F	EBLM-10 F	2,300	1,150	500	250	13	6.0	14.0	11.2
EBRM-12	EBLM-12	3,300	1,650	550	275	14	20.0	25.0	17.1
EBRM-12 F	EBLM-12 F	3,300	1,650	550	275	14	15.0	25.0	17.1
EBRM-15	EBLM-15	4,800	2,400	800	400	18	25.0	30.0	28.9
EBRM-16	EBLM-16	5,000	2,500	850	425	18	20.0	32.0	32.6
EBRM-16 F	EBLM-16 F	5,000	2,500	850	425	18	15.0	32.0	32.6
EBRM-17	EBLM-17	5,300	2,650	1,100	550	19	30.0	35.0	42.4
EBRM-17 F	EBLM-17 F	5,300	2,650	1,100	550	19	27.5	35.0	42.4
EBRM-20	EBLM-20	7,200	3,600	1,800	900	22	60.0	40.0	65.8
EBRM-20 M20	EBLM-20 M20	7,200	3,600	1,800	900	22	60.0	40.0	65.8
EBRM-25	EBLM-25	10,000	5,000	2,600	1,300	27	115.0	55.0	125.9
EBRM-30	EBLM-30	10,500	5,250	3,000	1,500	33	130.0	70.0	184.1

Spherical ball materials to choose ► [page 815](#)



J4VEM:
clearance-free,
preloaded



JEM: low
moisture
absorption

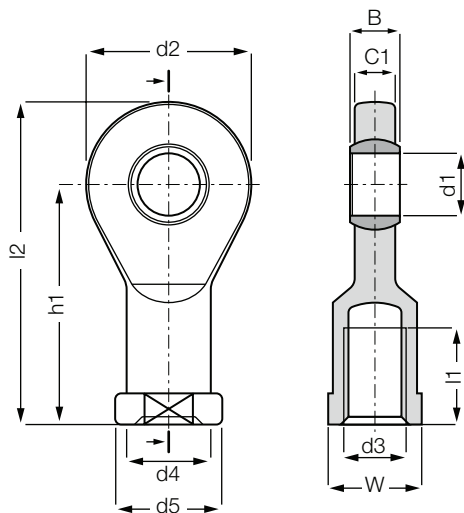


REM:
low-cost



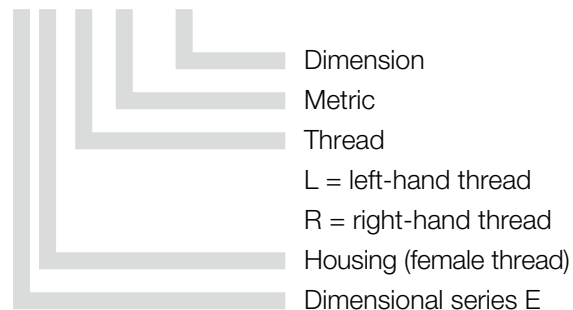
J4EM: low-cost
and low moisture
absorption

Rod ends with female thread: EBRM and EBLM



Order key

EB...M-04



Material:

Housing: **igumid G** ► page 1267

Spherical ball: **iglidur® W300** ► page 819

More spherical ball materials on request

► page 815

Dimensions [mm]

Part number		d1	d2	d3	d4	d5	C1	B	h1	l1	l2	W	Max. pivot angle
Right-hand thread	Left-hand thread	E10											
EBRM-04*	EBLM-04*	4	15	M04	–	–	3.5	5	22.5	9.5	30.0	SW08	33°
EBRM-05	EBLM-05	5	19	M05	9.0	11	4.4	6	30	12	39.5	SW09	33°
EBRM-06	EBLM-06	6	21	M06	11.0	13	4.4	6	30	12	40.5	SW11	27°
EBRM-08	EBLM-08	8	24	M08	13.0	16	6.0	8	36	14	48.0	SW14	24°
EBRM-10	EBLM-10	10	29	M10	15.0	19	7.0	9	43	18	57.5	SW17	24°
EBRM-10 F	EBLM-10 F	10	29	M10 x 1.25	15.0	19	7.0	9	43	18	57.5	SW17	24°
EBRM-12	EBLM-12	12	34	M12	18.0	22	8.0	10	50	20	67.0	SW19	21°
EBRM-12 F	EBLM-12 F	12	34	M12 x 1.25	18.0	22	8.0	10	50	20	67.0	SW19	21°
EBRM-15	EBLM-15	15	40	M14	21.0	26	10.0	12	61	26	81.0	SW22	21°
EBRM-16*	EBLM-16*	16	43	M16	–	–	10.5	13	64.5	26.5	86.0	SW22	21°
EBRM-16 F*	EBLM-16 F*	16	43	M16 x 1.5	–	–	10.5	13	64.5	26.5	86.0	SW22	21°
EBRM-17	EBLM-17	17	46	M16	24.0	30	11.0	14	67	27	90.0	SW27	18°
EBRM-17 F	EBLM-17 F	17	46	M16 x 1.5	24.0	30	11.0	14	67	27	90.0	SW27	18°
EBRM-20	EBLM-20	20	53	M20 x 1.5	27.0	34	13.0	16	77	31	103.5	SW30	16°
EBRM-20 M20	EBLM-20 M20	20	53	M20 x 2.5	27.0	34	13.0	16	77	31	103.5	SW30	16°
EBRM-25	EBLM-25	25	64	M24 x 2.0	34.0	41	17.0	20	94	38	126.5	SW36	16°
EBRM-30	EBLM-30	30	73	M30 x 2.0	41.0	48	19.0	22	110	47	146.5	SW41	13°

* special form with hexagonal foot



delivery from stock
time



prices price list online
www.igus.eu/eu/ebrm