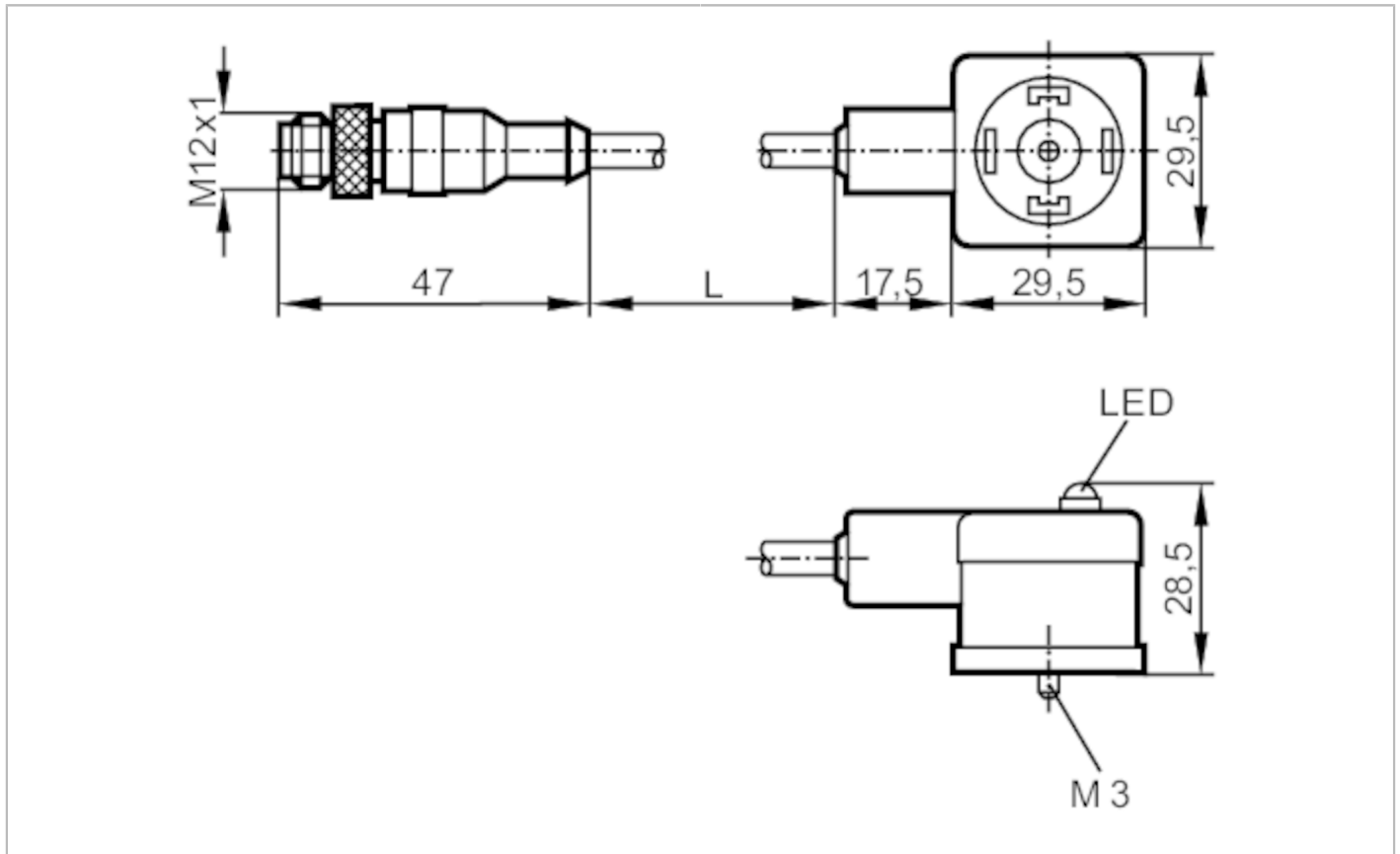


E11416



Jumper cable with valve plug

VVDAA031MSS00,3H03STGH030MSS



Application		
Free from silicone		yes
Electrical data		
Operating voltage	[V]	< 24 AC/DC
Overvoltage protection		yes; (VDR)
Max. current load total	[A]	3
Operating conditions		
Ambient temperature	[°C]	-25...80
Protection		IP 67
Mechanical data		
Weight	[g]	62.2
Materials		PUR
Material nut		brass / brass
Displays / operating elements		
Display	switching status	1 x LED, yellow
Accessories		
Accessories (supplied)		screw tag for labelling
Remarks		
Pack quantity		1 pcs.
Electrical connection - plug		

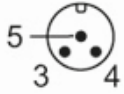
Connector: 1 x M12, straight; Moulded body: PUR; Locking: , brass, nickel-plated; Kontakte: gold-plated; Tightening torque: 0.7...0.9

E11416

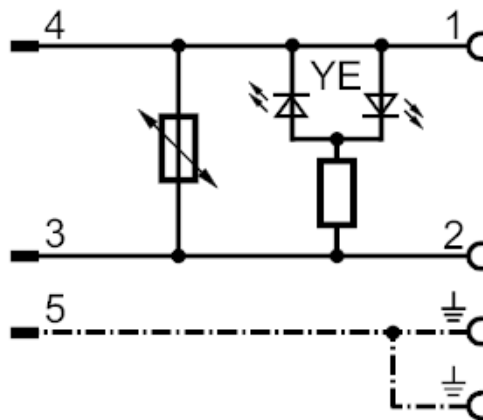


Jumper cable with valve plug

VVDAA031MSS00,3H03STGH030MSS



Connection



Electrical connection

Cable: 0.3 m, PUR, Halogen-free, black, \varnothing 5 mm; 3 x 0.5 mm² (42 x \varnothing 0.1 mm)

Electrical connection - socket

Connector: 1 x valve type A DIN, angled; Moulded body: PUR; Locking: , brass, nickel-plated; Kontakte: nickel-plated brass; Tightening torque: 0.7...0.9