

D-Sub Full Metal, Top, Crimp Ferrule CZK

TECHNICAL SPECIFICATIONS

Material: Zinc, Nickel Plated
Brass Ferrule / Brass Ring

Operating Temperature: -40°C to +120°C

Cable Entry: Top Entry

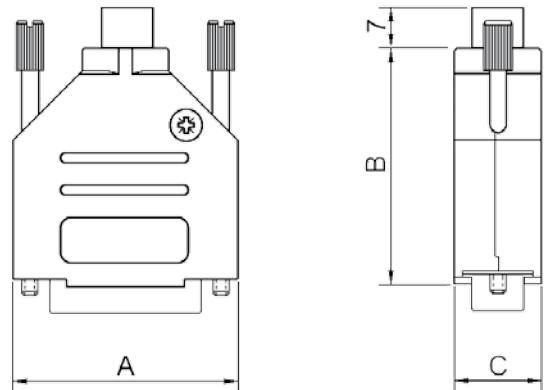
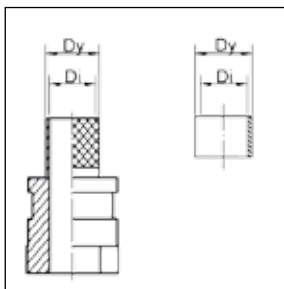
Thumbscrews: UNC 4-40 (Standard)
M2,5 or M3 on request

Cable O.D.: Up to 9,5mm



Features:

- Available in sizes 9-15-25-37
- Excellent EMI Shielding
- Re-openable
- Strain relief inserts ensure a secure termination
- Full Metal Jackscrew as standard



Max Cable O.D. (mm)	Body: Dy / Di	Ring: Dy / Di	Order Code X:
6,0	5,0 / 4,0	7,0 / 6,0	1
7,5	7,0 / 6,0	9,0 / 8,0	2
8,5	8,0 / 7,0	10,0 / 9,0	3
9,5	9,0 / 8,0	11,0 / 10,0	4

Size DTZK-CZK	Dim A	Dim B	Dim C
9-way	31,2	39,9	15,0
15-way	39,5	41,5	15,0
25-way	53,4	48,6	15,0
37-way	69,7	53,6	15,0

Ordering information:

Size:	P/N - Kitted:	Product Code:
9-way	6560-06X5-01	DTZK09-CZK-K
15-way	6560-06X5-02	DTZK15-CZK-K
25-way	6560-06X5-03	DTZK25-CZK-K
37-way	6560-06X5-04	DTZK37-CZK-K

Size:	P/N - BULK:	Product Code:
9-way	6561-06X5-01	DTZK09-CZK
15-way	6561-06X5-02	DTZK15-CZK
25-way	6561-06X5-03	DTZK25-CZK
37-way	6561-06X5-04	DTZK37-CZK