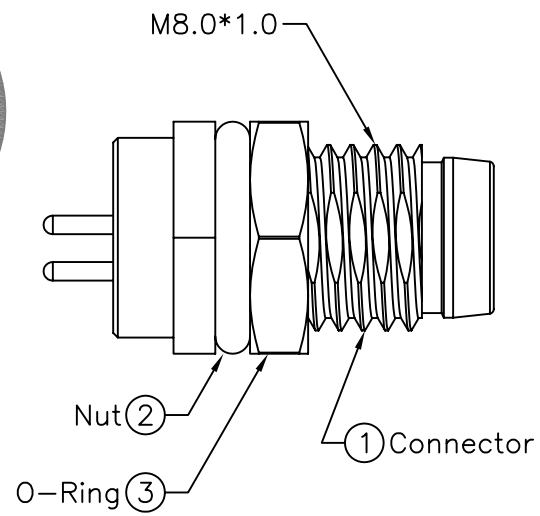
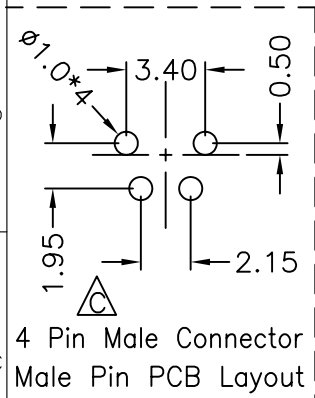
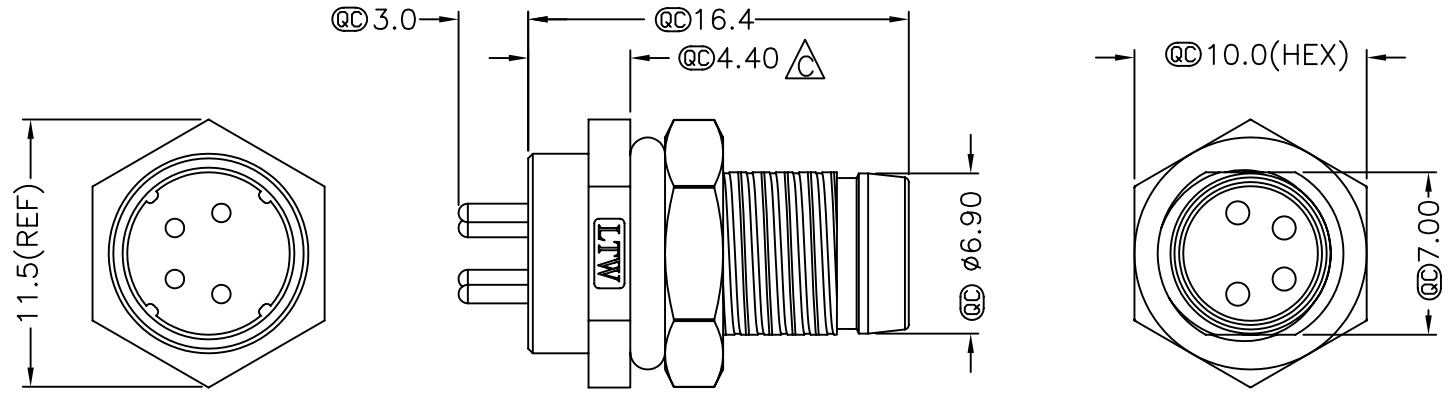
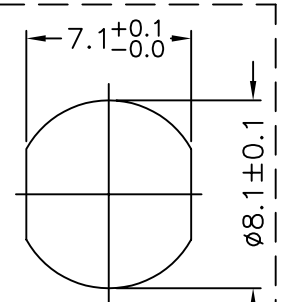
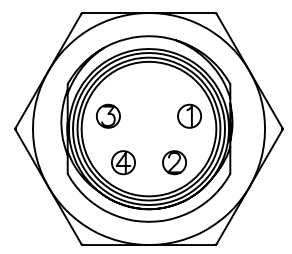


REV.	ECN NO.	DATE	SIGN	DESCRIPTION
B	LEN-7A0173	2007/09/29	Myrdal	Added Note
C	LEN-910186	2009/01/07	Ivan Lin	Change rev. to ECN note



- Note:
- * QC Important Dimension.
 - * Waterproof Rate: IP67
 - * Housing: Black, Nylon+GF
 - * Male Pin: Copper Alloy, Gold Plated
 - * Shield: Zinc Alloy, Nickel Plated
 - * Nut: Copper Alloy, Nickel Plated
 - * O-Ring: Black, EPDM
 - * For Panel Thickness Max 3.0mm
 - * Nut Torque: 4-6 kgf.cm



UNIT:mm	
TOLERANCE	
.X	±0.25
.XX	±0.1
.XXX	±0.05
ANGLES	±1°

TITLE	M8 Conn Panel Screw 4P M Conn M Pin	
SCALE	Free	SHEET 1 OF 1
REV. C	SIZE A4	QC : Inspection Item

LTW
亮泰企業股份有限公司

ITEM NO	LTW8-04PMMP-SF7001
DWG NO	LTW8-04PMMP-SF7001
CUSTOMER	

DRAWN BY	Ivan Lin
CHECKED BY	Tommy Hom
APPROVED BY	Luke Chang

DATE	2009/01/07
DATE	2009/01/07
DATE	2009/01/07

THIS DOCUMENT IS SUBJECT TO CHANGE WITHOUT NOTICE. IT IS CONFIDENTIAL AND A PROPERTY OF LTW. DISCLOSURE TO THIRD PARTY HAS TO BE AUTHORIZED BY LTW.