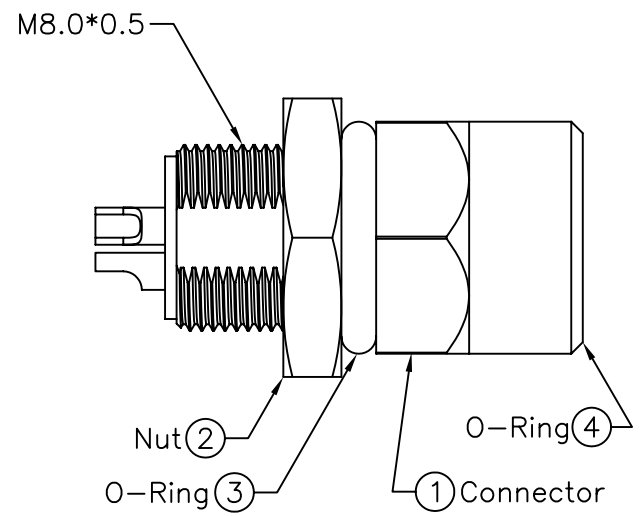
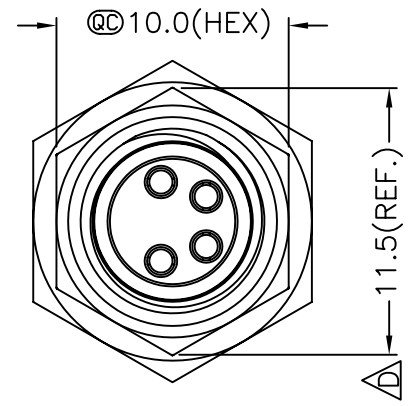
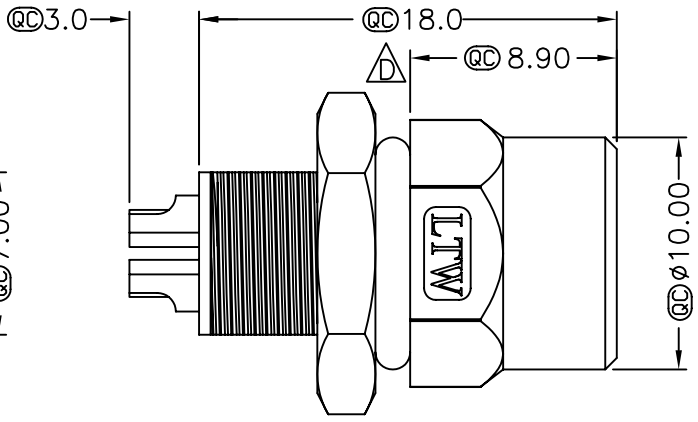
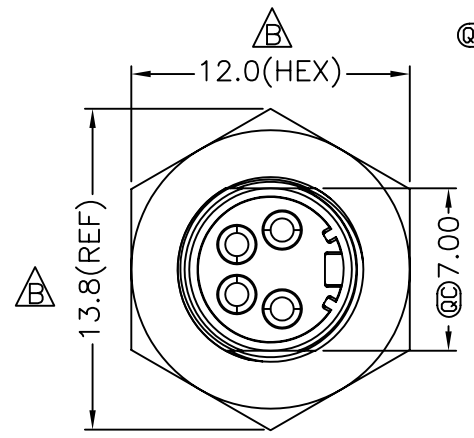
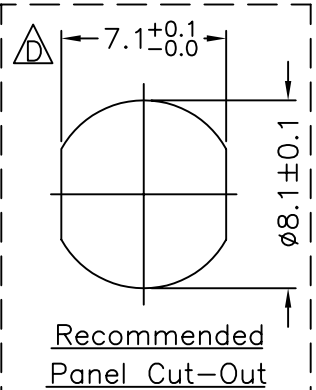
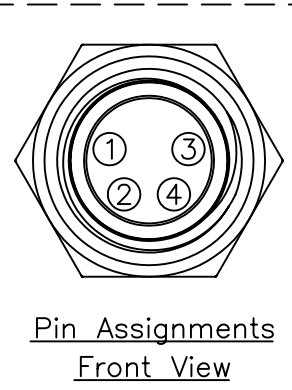


REV.	ECN NO.	DATE	SIGN	DESCRIPTION
B	LEN-750247	2007/05/26	Jason	Change Dimension of Nut
C	LEN-7A0169	2007/09/29	Myrdal	Added Note
D	LEN-910184	2009/01/07	Ivan Lin	Change rev.to ECN note



- Note:
- * @C Important Dimension.
 - * Waterproof Rate: IP67
 - * Connector: Black, Nylon+GF
 - * Female Pin: Copper Alloy, Gold Plated
 - * Shield: Zinc Alloy, Nickel Plated
 - * Nut: Copper Alloy, Nickel Plated
 - * O-Ring: Black, EPDM
 - * O-Ring: Green, VITON
 - * For Panel Thickness Max 4.5mm
 - * Nut Torque: 4-6 kgf.cm



UNIT:mm		TITLE	M8 Conn Panel Screw 4P F Conn F Pin	LTW	ITEM NO	LTW8-04PFFS-SH7001	DRAWN BY	Ivan Lin	DATE	2009/01/07
		TOLERANCE			SCALE	SHEET	DWG NO	CHECKED BY	DATE	
.X	±0.25	Free	1 OF 1	亮泰企業股份有限公司	LTW8-04PFFS-SH7001	Tommy Hom	2009/01/07			
.XX	±0.1	REV. D	SIZE A4		CUSTOMER		APPROVED BY	Luke Chang	DATE	2009/01/07
.XXX	±0.05		@C :Inspection Item							
ANGLES	±1'									

THIS DOCUMENT IS SUBJECT TO CHANGE WITHOUT NOTICE. IT IS CONFIDENTIAL AND A PROPERTY OF LTW. DISCLOSURE TO THIRD PARTY HAS TO BE AUTHORIZED BY LTW.