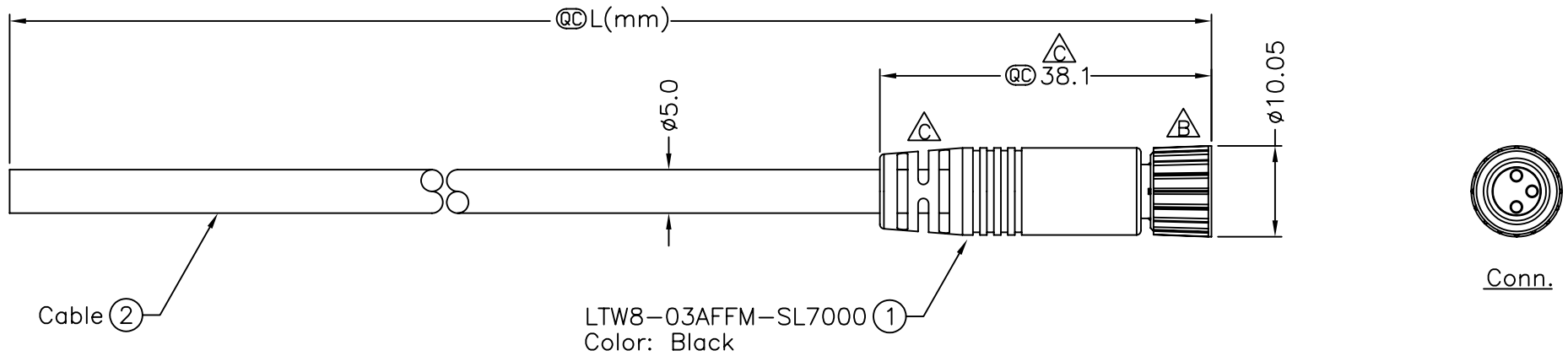


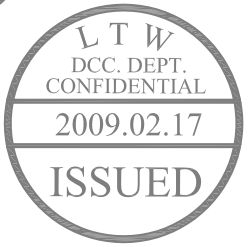
REV.	ECN NO.	DATE	SIGN	DESCRIPTION
B	LEN-710100~103	2007/01/12	R.Bondoc	Change Nut BAB0040NI00 To BEA00010016.
C	LEN-920185~188	2009/02/04	Vicky	Update the drawing.

THIS DOCUMENT IS SUBJECT TO CHANGE WITHOUT NOTICE. IT IS CONFIDENTIAL AND A PROPERTY OF LTW. DISCLOSURE TO THIRD PARTY HAS TO BE AUTHORIZED BY LTW.



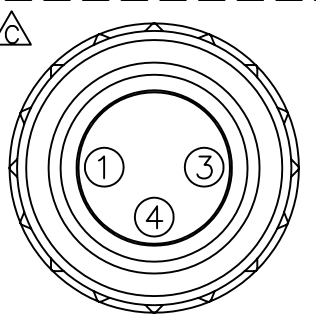
Cable ②

LTW8-03AFFM-SL7000 ①  
Color: Black



LTW8-03AFFM-SL7AXX  
 XX:01~99Meters  
 01:01Meter  
 02:02Meters  
 :  
 :  
 99:99Meters  
 Cable Length(L):01~99Meters

- Notes:
- \* Ⓞ Important Dimension.
  - \* Waterproof Rate:IP67.
  - \* Connector:Black,PU.
  - \* Female Pin:Copper Alloy,Gold Plated.
  - \* Cable:UL2464 22AWG\*3C+Talcum,Black, PVC Jacket,UV Resistant,OD=5.0mm.
  - \* Cable Length Tolerance: 01M:±40mm  
02M~05M:±60mm  
06M~10M:±100mm  
11M~30M:±200mm  
31M~99M:±500mm



Pin Assignments  
Front View

4	Black	黑
3	Blue	藍
1	Brown	棕
Conn.	Wire Color	
Pin Out		

UNIT:mm		TITLE Ⓞ M8 Conn Cable Screw 3P F Conn F Pin	<h1>LTW</h1> 亮泰企業股份有限公司	ITEM NO	DRAWN BY Vicky	DATE 2009/02/04
TOLERANCE ±0.5 mm	SCALE Free	SHEET 1 OF 1		DWG NO LTW8-03AFFM-SL7AXX	CHECKED BY Ivan	DATE 2009/02/04
REV. C	SIZE A4	Ⓞ :Inspection Item		CUSTOMER	APPROVED BY Luke	DATE 2009/02/04