

REVISION RECORD			
REV	ECN	DESCRIPTION	DRFT DATE

Technical characteristics:

Specifications
 DIN EN 60 664-1
 DIN EN 61 984

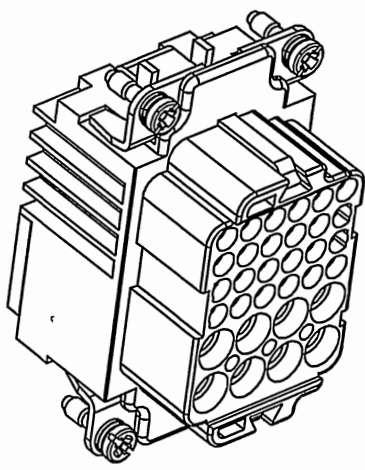
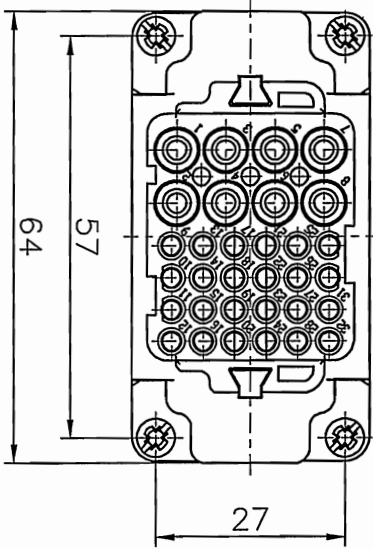
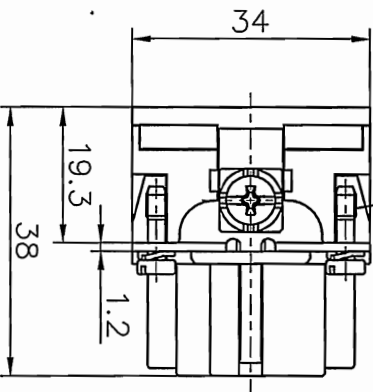
Inserts

- 01. Number of contacts : 8/24+PE
- 02. Rated Current : 16A/10A
- 03. Rated Voltage : 230V/400V
- Rated Voltage : 160V
- 04. Pollution degree : 3
- 05. Rated impulse voltage : 4kv/2.5kv
- 06. Insulation resistance : $\geq 10^8 \Omega$
- 07. Material: Polycarbonate
- 08. Rated voltage acc. to UL/CSA: 600V/300V
- 09. Limiting temperatures : -40°C ~ +125°C
- 10. Flammability acc to UL94: V0
- 11. Mechanical working life (mating cycles) : ≥ 500

Contacts

- Power contacts
- 01. Material: Copper alloy
- 02. Surface: hard-Gold plated
- Signal contacts
- 01. Material: Copper alloy
- 02. Surface : hard-Silver plated
- 03. Contact resistance : $\leq 3m\Omega$
- 04. Terminal : Crimp terminal
- 05. Wire gauge : 0.37-2.5mm² (AWG26-14)
- 06. Stripping length : 6~8mm

Note: Crimp contact pins should order separately



DETACHED LISTS			
PART NO.:	/	DEGSON	宁波高松电子有限公司
APPD:	HYS 2016.11.14	NINGBO DEGSON ELECTRICAL CO., LTD	
CHKD:	Ljm 2016.11.18	DK-8/24-FC	
DRFT:	Mr.Yong 2016.10.08	TITLE: CUSTOMER DRAWING	REV: DO-1
DRAWING NO.:	/	DRAWING NO.:	SHEET: 1/1
THIRD ANGLE PROJECTION		DO NOT SCALE DRAWING	SCALE: 1:1