

REVISION RECORD			
REV	ECN	DESCRIPTION	DRFT DATE

Technical characteristics:

Specifications
 DIN EN 60 664-1
 DIN EN 61 984

Inserts

- 01. Number of contacts : 4/8+PE
- 02. Rated Current : 80A/16A
- 03. Rated Voltage : 400V/400V
- 04. Pollution degree : 3
- 05. Rated impulse voltage : 6kV_u
- 06. Insulation resistance : ≥10Ω
- 07. Material: Polycarbonate
- 08. Rated voltage acc. to UL/CSA: 600V/600V
- 09. Limiting temperatures : -40°C~+125°C
- 10. Flammability acc. to UL94: V0
- 11. Mechanical working life (mating cycles) : ≥500

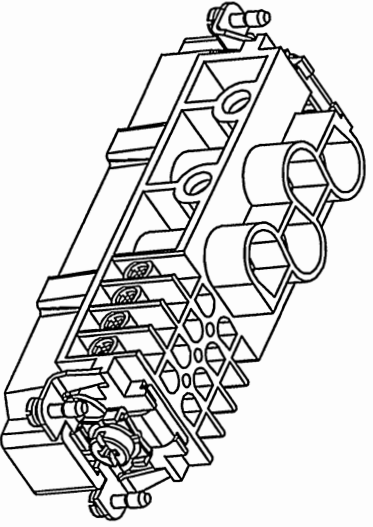
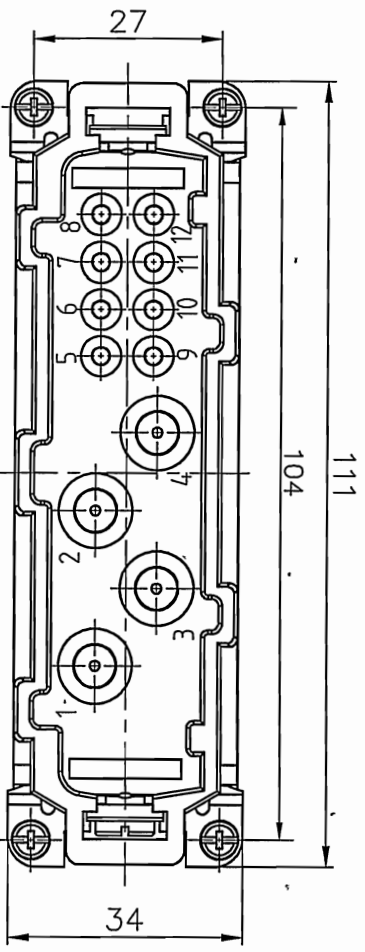
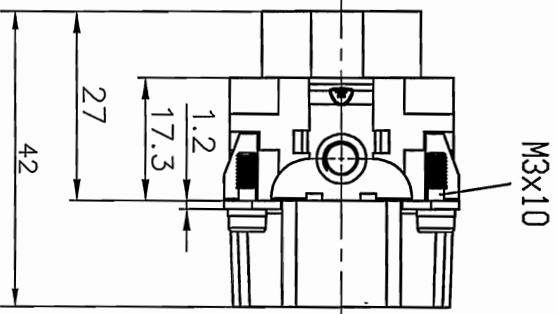
Contacts

- Power contacts
- 01. Material: Copper alloy
 - 02. Surface: hard-silver plated
 - 03. Contact resistance : ≤0.3mΩ
 - 04. Terminal : Screw terminal
 - 05. Wire gauge : 1.5-16mm² (AWG16-6)
 - 06. Tightening torque :

mm ²	1.5	2.5	4	6	10	16
Nm	1.2	2	3	3	3	3
 - 07. Stripping length : 14mm

Signal contacts

- 01. Material: Copper alloy
- 02. Surface: hard-silver plated
- 03. Contact resistance : ≤1mΩ
- 04. Terminal : Screw terminal
- 05. Wire gauge : 1.0-2.5mm² (AWG18-14)
- 06. Tightening torque : 0.5Nm
- 07. Stripping length : 7.5mm
- 08. RoHS Compliance



A 8 7 6 5 4 3 2 1

PART NO.:		/	
APPD:	H/S 2016.8.27	NAME: DK-4/8-M	
CHKD:	Ljm 2016.8.26	NINGBO DEGSON ELECTRICAL CO., LTD	
DRFT:	yong 2016.07.28	TITLE: CUSTOMER DRAWING	
THIRD ANGLE PROJECTION		DRAWING NO.:	DK-4/8-M-E01
		REV	DO-1
		SHEET	1/1
		SCALE	1:1

DETACHED LISTS

APPD:	H/S 2016.8.27	NAME:	DK-4/8-M
CHKD:	Ljm 2016.8.26	NINGBO DEGSON ELECTRICAL CO., LTD	
DRFT:	yong 2016.07.28	TITLE: CUSTOMER DRAWING	
THIRD ANGLE PROJECTION		DRAWING NO.:	DK-4/8-M-E01
		REV	DO-1
		SHEET	1/1
		SCALE	1:1

宁波高松电子有限公司
 NINGBO DEGSON ELECTRICAL CO., LTD

NINGBO DEGSON ELECTRICAL CO., LTD

TITLE: CUSTOMER DRAWING

DRAWING NO.: DK-4/8-M-E01

REV DO-1

SHEET 1/1

SCALE 1:1