

REVISION RECORD			
REV	ECN	DESCRIPTION	DRFT DATE
2			1

Technical characteristics:
 Specifications
 DIN EN 60 664-1
 DIN EN 61 984

Inserts

- 01. Number of contacts : 4/8+PE
- 02. Rated Current : 80A/16A
- 03. Rated Voltage : 400V/400V
- 04. Pollution degree : 3
- 05. Rated impulse voltage : 6kV^m
- 06. Insulation resistance : ≥10¹⁰Ω
- 07. Material: Polycarbonate
- 08. Rated voltage acc. to UL/CSA: 600V/600V
- 09. Limiting temperatures : -40°C~+125°C
- 10. Flammability acc. to UL94: V0
- 11. Mechanical working life (mating cycles) : ≥500

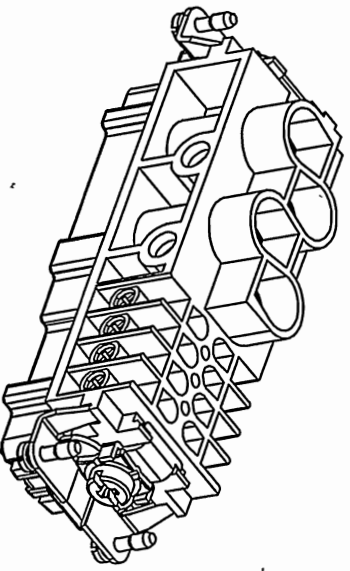
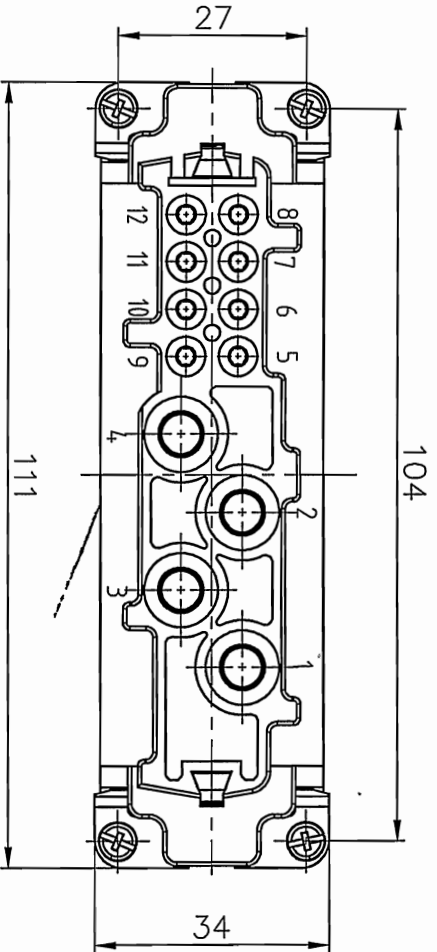
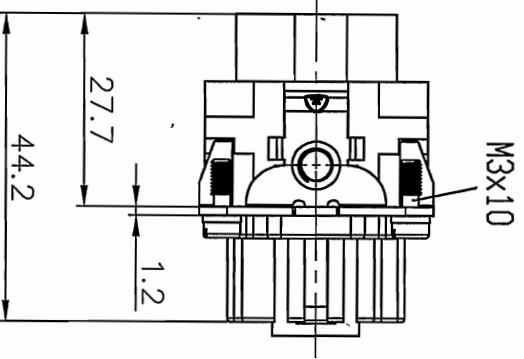
Contacts

- Power contacts**
- 01. Material: Copper alloy
- 02. Surface: hard-silver plated
- 03. Contact resistance : ≤0.3mΩ
- 04. Terminal : Screw terminal
- 05. Wire gauge : 1.5-16mm² (AWG16-6)
- 06. Tightening torque :

mm ²	1.5	2.5	4	6	10	16
Nm	1.2	2	3	3	3	3
- 07. Stripping length : 14mm

Signal contacts

- 01. Material: Copper alloy
- 02. Surface: hard-silver plated
- 03. Contact resistance : ≤1mΩ
- 04. Terminal : Screw terminal
- 05. Wire gauge : 1.0-2.5mm² (AWG18-14)
- 06. Tightening torque : 0.5Nm
- 07. Stripping length : 7.5mm
- 08. Rohs Compliance



PART NO.:		DETACHED LISTS	
APPRO:	1952016.8.20	CHKD:	1952016.8.18
DRFT:	YQNG	DATE:	2016.07.23
DRAWING NO.:		TITLE:	
DK-4/8-F-E01		CUSTOMER DRAWING	
SHEET		REV	
1/1		DO-1	
SCALE		1:1	

DEGSON 宁波高松电子有限公司
 NINGBO DEGSON ELECTRICAL CO., LTD

DK-4/8-F



THIRD ANGLE PROJECTION