

REVISION RECORD				
REV	ECN	DESCRIPTION	DRFT	DATE

仅供参考图

签字: *张贵A*

日期: *2015.11.23*

- NOTES1:
- UL Standard
 - 1.Rated Voltage/Current : 300V / 12A
 - 2.Withstanding Voltage : AC1600V/1Min.
 - 3.Torque Value : M2 , 1.77Lb.in
 - 4.Wire Range : 30~14AWG

IEC Standard

1. Pollution Degree	2	2	3
Overvoltage Category	II	III	III
Rate Impulse Voltage(KV)	2.5KV	2.5KV	2.5KV
Rate Voltage(V)	160V	160V	320V
Rate Current(A)	12A		

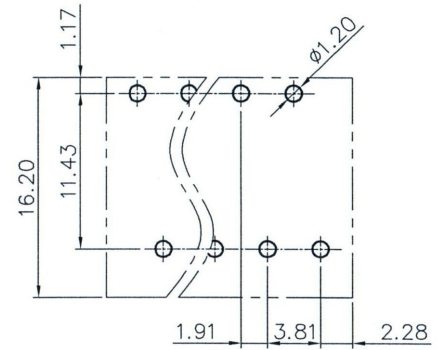
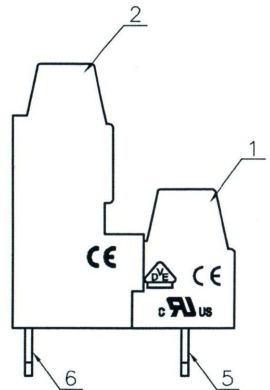
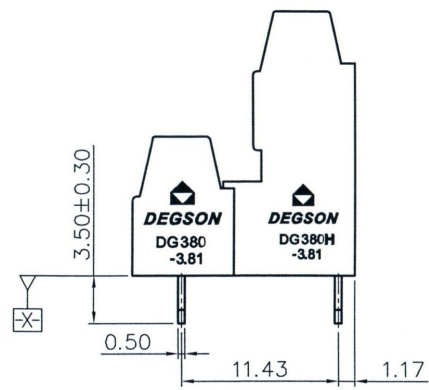
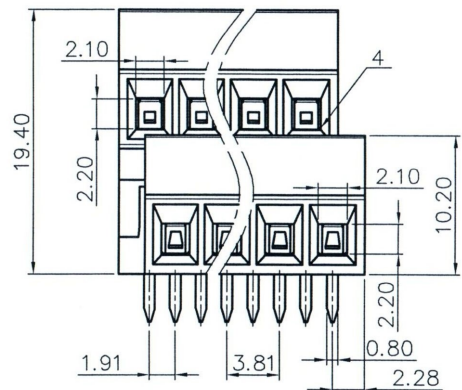
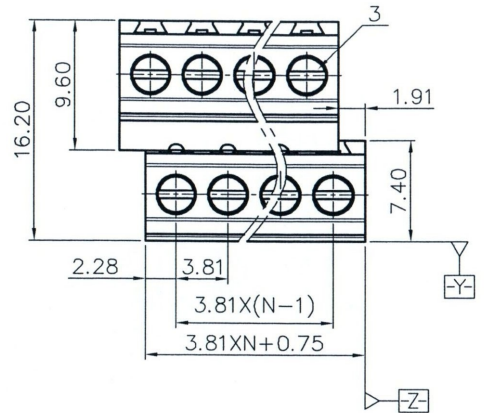
- 2.Torque Value : M2 , 0.2N.m
- 3.Wire Range : 0.2~1.5mm²

- NOTES2:
- 1.Dimension shall be interpreted per ASME Y14.5-2009
 - 2.Pitch : 3.81mm, Poles : N=04~24P
 - 3.Stripping length : 5-6mm
 - 4.Operating temperature: -40°C~+105°C
 - 5.Undimensioned Tolerances:

Pitch Range In mm		Nominal Dimension Range In mm								
TO	Over	Over	TO	TO	Over	Over	Over	Over	0.1/10	
6	10	10	24	30	60	100	150	150		
±0.15	±0.25	±0.30	±0.30	±0.50	±0.70	±1.00	±1.30	±2*		

6.RoHS Compliance

6	SOLDER PIN	COPPER ALLOY	Sn Plated
5	SOLDER PIN	COPPER ALLOY	Sn Plated
4	CAGE	COPPER ALLOY	M2/Ni Plated
3	SCREW	STEEL	M2/Zn Plated
2	HOUSING	PA66	UL94V-0
1	HOUSING	PA66	UL94V-0
ITEM	NAME OF PART	MATERIAL	NOTES



P.C.B LAYOUT

DETACHED LISTS	PART NO.:	宁波高松电子有限公司 DEGSON [®] NINGBO DEGSON ELECTRICAL CO., LTD		
	APPD: <i>Alan 11/23/15</i>	NAME: DG380A-3.81-XXP-1Y-00A(H)		
	CHKD:	TITLE: CUSTOMER DRAWING		
	DRFT: <i>Jay.z 07/28/15</i>	REV	TO-1	
	DRAWING NO.: DG380A-3.81-C01	SHEET	1/1	
	THIRD ANGLE PROJECTION	SCALE	1:1	

MM (INCH)	DO NOT SCALE DRAWING	SCALE	1:1
-----------	----------------------	-------	-----