

D-Sub Metalized Plastic Hood, Flat Cable only, Top Entry

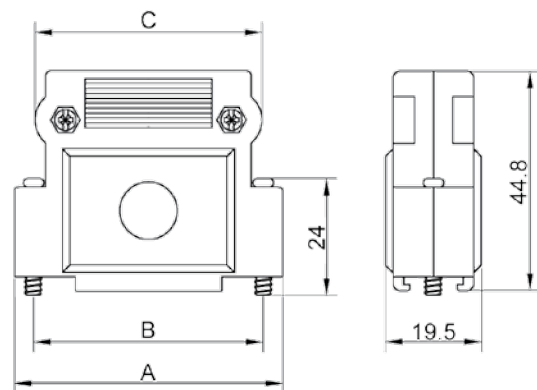
TECHNICAL SPECIFICATIONS

Material:	ABS Plastic, UL 94 V-0, Metalized
Operating Temperature:	-25°C to +85°C
Cable Entry:	Top / Flat Cable only
Jackscrews:	UNC 4-40



Features:

- Available in 9-15-25-37
- Suitable for IDC Sub-D connector
- Integrated Strain relief



Size DFCK	Dim A	Dim B	Dim C
9-way	33,2	25,0	24,6
15-way	41,0	33,3	32,7
25-way	54,8	47,0	47,6
37-way	71,3	63,5	62,8

Ordering information:

Size:	P/N - BULK:	Product Code - METALIZED:
9-way	1520-0105-01	DFCK09-M-K
15-way	1520-0105-02	DFCK15-M-K
25-way	1520-0105-03	DFCK25-M-K
37-way	1520-0105-04	DFCK37-M-K