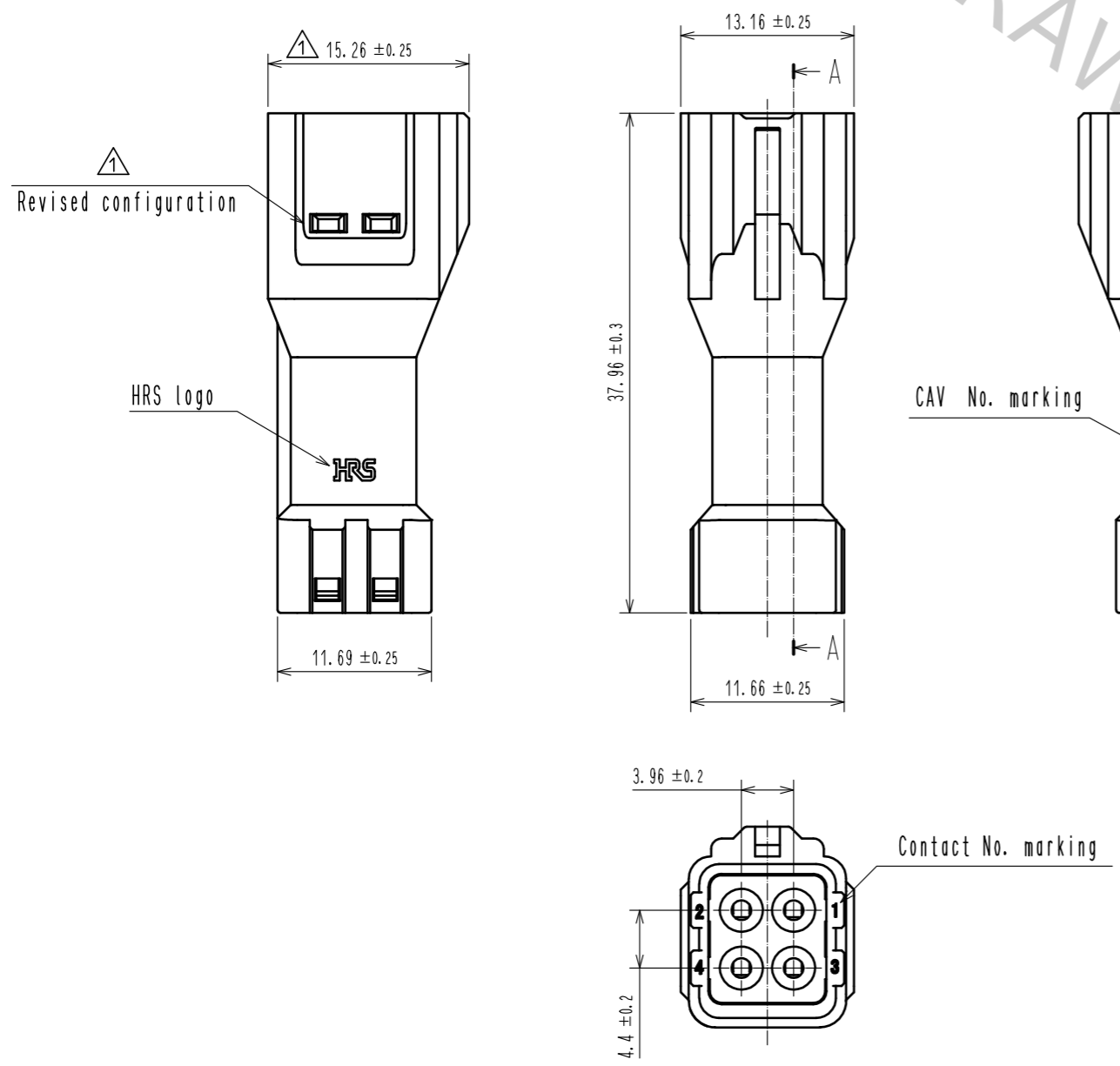
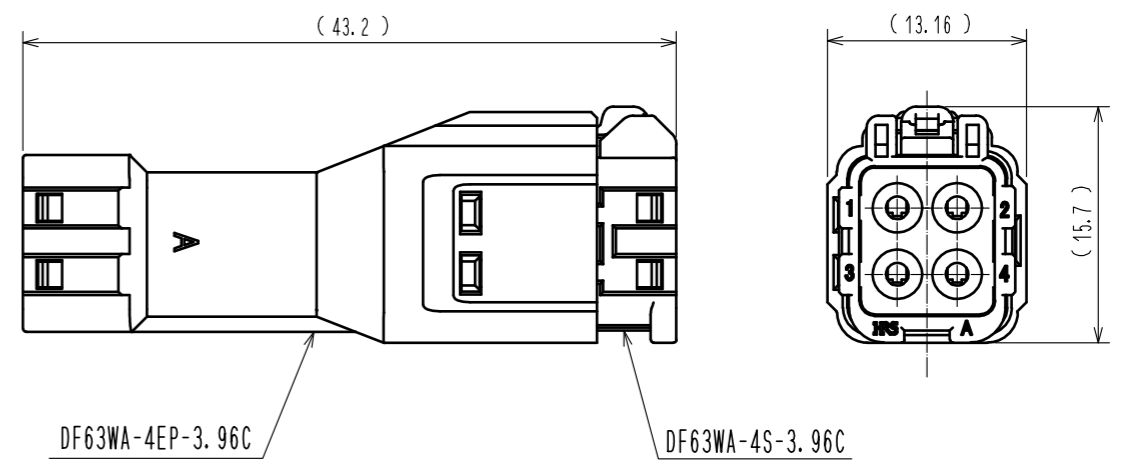


Jan.1.2019 Copyright 2019 HIROSE ELECTRIC CO., LTD. All Rights Reserved.
 In case that the application demands a high level of reliability, such as automotive,
 please contact a company representative for further information.

Mated figure



- Notes.
1. 100 pcs. / pack
 2. Applicable cable dia : $\phi 1.7 \sim \phi 2.8\text{mm}$
 3. The dimensions in parenthesis are reference dimensions.
 4. Always refer to the manuals below for operation of this product.
For cable assembly / ETAD-H0814

1	PBT	UL94V-0 (Black)	3	Silicone rubber	Green
2			2	Silicone rubber	Green
NO.	MATERIAL	FINISH . REMARKS	NO.	MATERIAL	FINISH . REMARKS
UNITS		SCALE	COUNT	DESCRIPTION OF REVISIONS	
mm		2 : 1	2	DESIGNED	CHECKED
				TO. HORII	HK. UMEHARA
				DATE	15. 10. 07
				APPROVED : KI. AKIYAMA	15. 01. 08
				CHECKED : HK. UMEHARA	15. 01. 08
				DESIGNED : TO. HORII	15. 01. 08
				DRAWN : TO. HORII	15. 01. 08
HIROSE ELECTRIC CO., LTD.			DRAWING NO.		EDC-359253-00-00
			PART NO.		DF63WA-4EP-3.96C
			CODE NO.		CL680-0611-1-00
					1