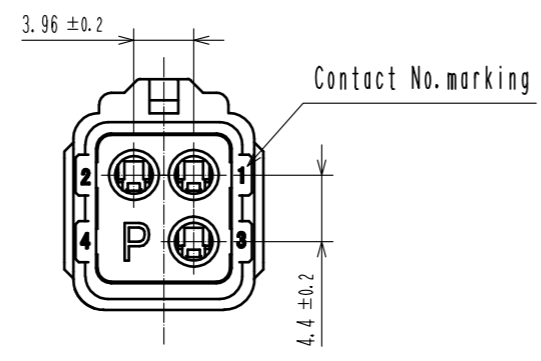
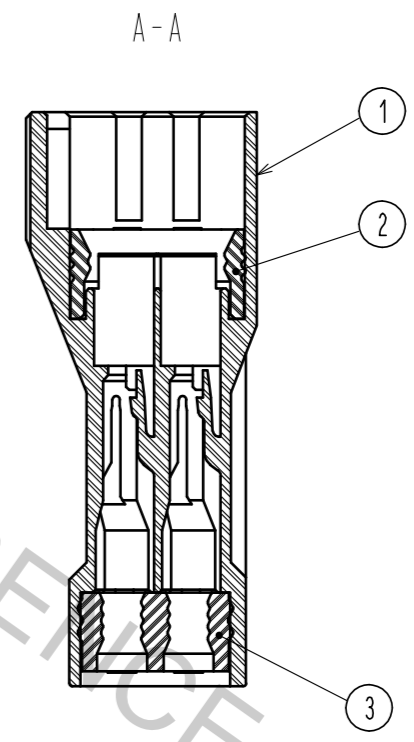
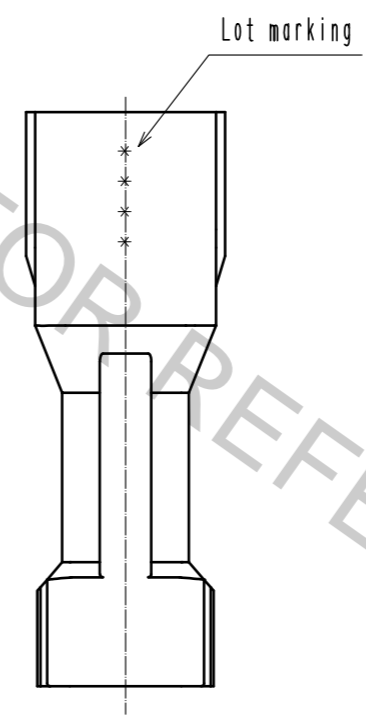
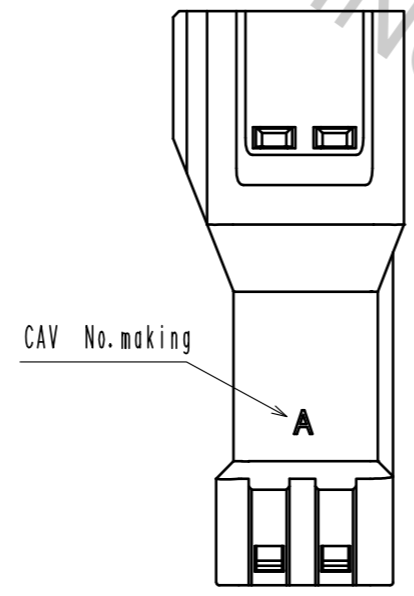
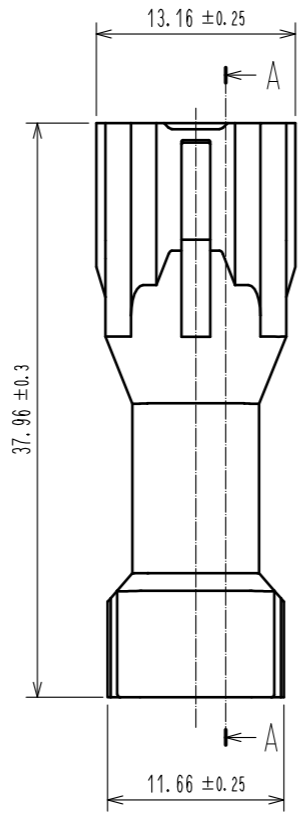
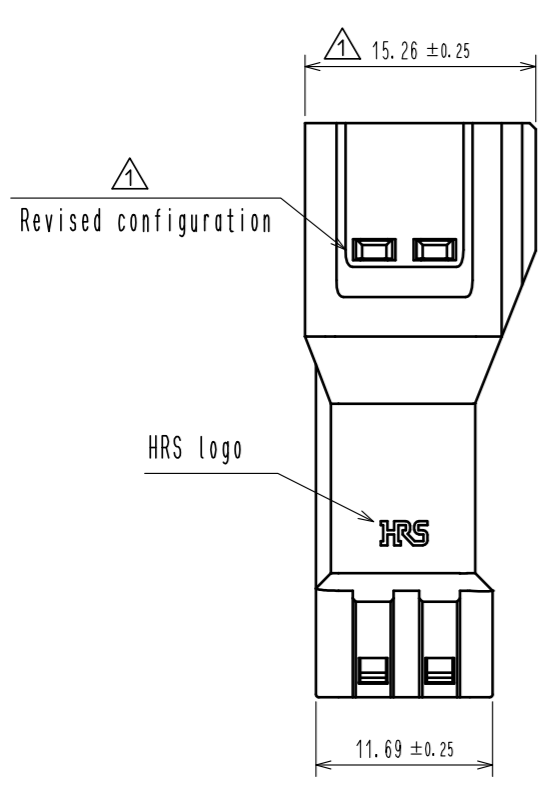
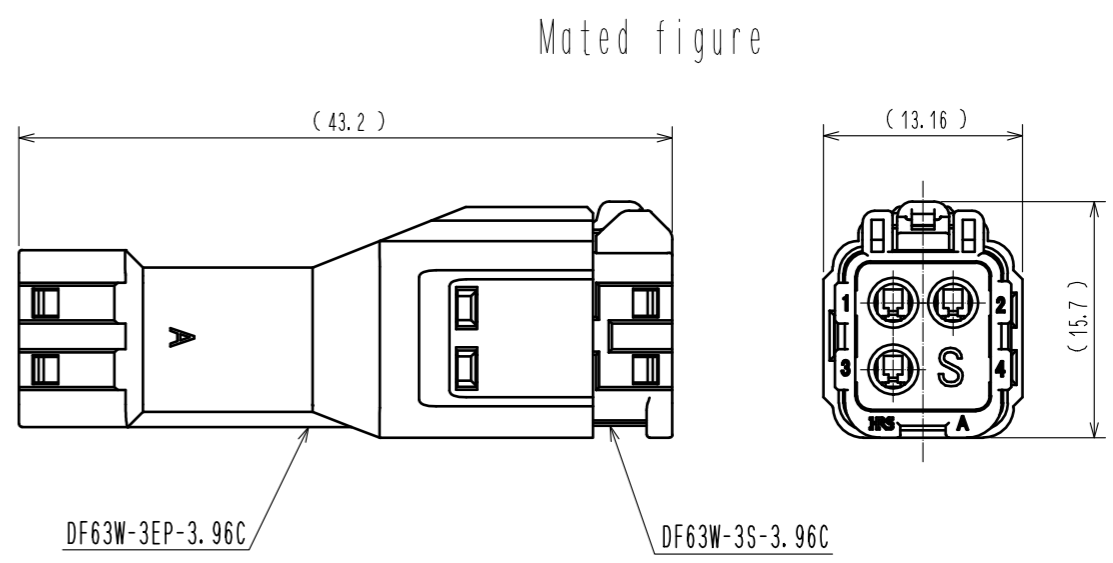
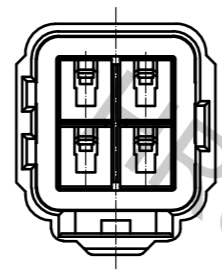


Jan.1.2019 Copyright 2019 HIROSE ELECTRIC CO., LTD. All Rights Reserved.  
 In case that the application demands a high level of reliability, such as automotive,  
 please contact a company representative for further information.



- Notes.
1. 100 pcs. / pack
  2. Applicable cable dia :  $\phi 2.8 \sim \phi 3.2\text{mm}$
  3. The dimensions in parenthesis are reference dimensions.
  4. Always refer to the manuals below for operation of this product.  
For cable assembly / ETAD-H0814

1	PBT	UL94V-0 (Black)	3	Silicone rubber	Blue
2			2	Silicone rubber	Blue
NO.	MATERIAL	FINISH . REMARKS	NO.	MATERIAL	FINISH . REMARKS
UNITS		SCALE	COUNT	DESCRIPTION OF REVISIONS	
mm		2 : 1	2	DESIGNED	CHECKED
				TO. HORII	HK. UMEHARA
				DATE	15. 10. 07
<b>HRS</b> HIROSE ELECTRIC CO., LTD.		APPROVED : HK. UMEHARA	15. 03. 11	DRAWING NO. EDC-359248-00-00	
		CHECKED : HK. UMEHARA	15. 03. 11	PART NO. DF63W-3EP-3. 96C	
		DESIGNED : TO. HORII	15. 03. 11	CODE NO. CL680-0606-1-00	
		DRAWN : TO. HORII	15. 03. 11		