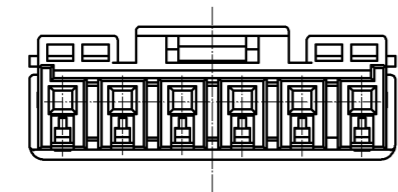
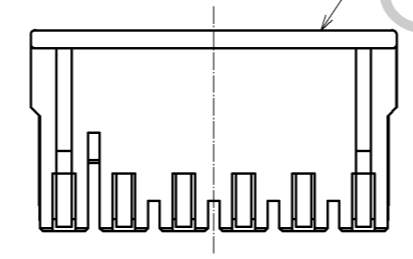
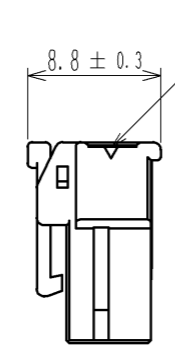
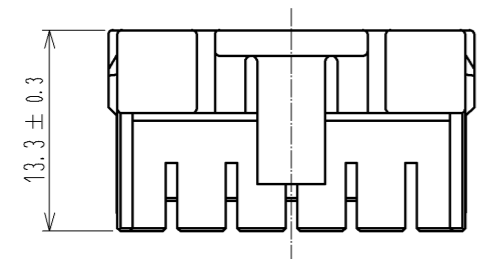
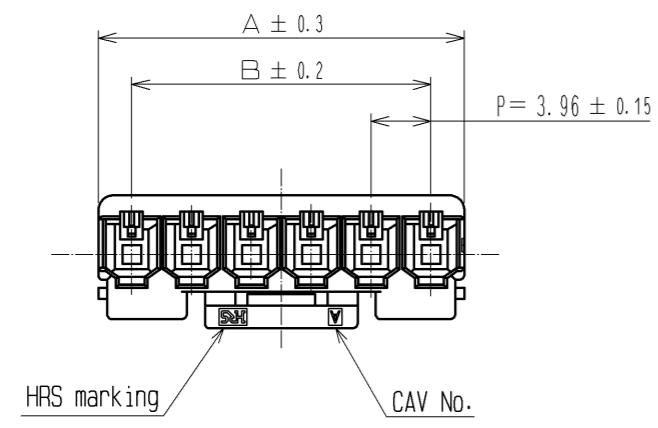
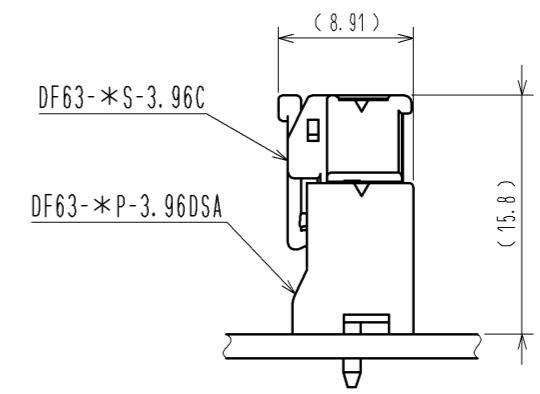


Jan.1.2019 Copyright 2019 HIROSE ELECTRIC CO., LTD. All Rights Reserved.  
 In case that the application demands a high level of reliability, such as automotive,  
 please contact a company representative for further information.



Mating Figure



Part Number	HRS No.	Number of Contact	A	B
DF63-1S-3.96C	680-0508-2	1	6.2	—
DF63-2S-3.96C	680-0509-5	2	8.36	3.96
DF63-3S-3.96C	680-0502-6	3	12.32	7.92
DF63-4S-3.96C	680-0510-4	4	16.28	11.88
DF63-5S-3.96C	680-0511-7	5	20.24	15.84
DF63-6S-3.96C	680-0512-0	6	24.2	19.8

NOTE. 1. Per pack:100 Pieces.  
 2. The dimensions in parenthesis are for reference.

NO.	MATERIAL	FINISH . REMARKS	1	PBT	UL94V-0(BLACK)
UNITS mm		SCALE 2 : 1	COUNT 	DESIGNED	CHECKED
HIROSE ELECTRIC CO., LTD.		APPROVED : KI. AKIYAMA 13.09.10	DRAWING NO. EDC3-354067-00		
		CHECKED : OM. MIYAMOTO 13.09.10	PART NO. DF63-*S-3.96C		
		DESIGNED : TO. HORII 13.09.09	CODE NO.		
		DRAWN : TO. HORII 13.09.09	1/1		