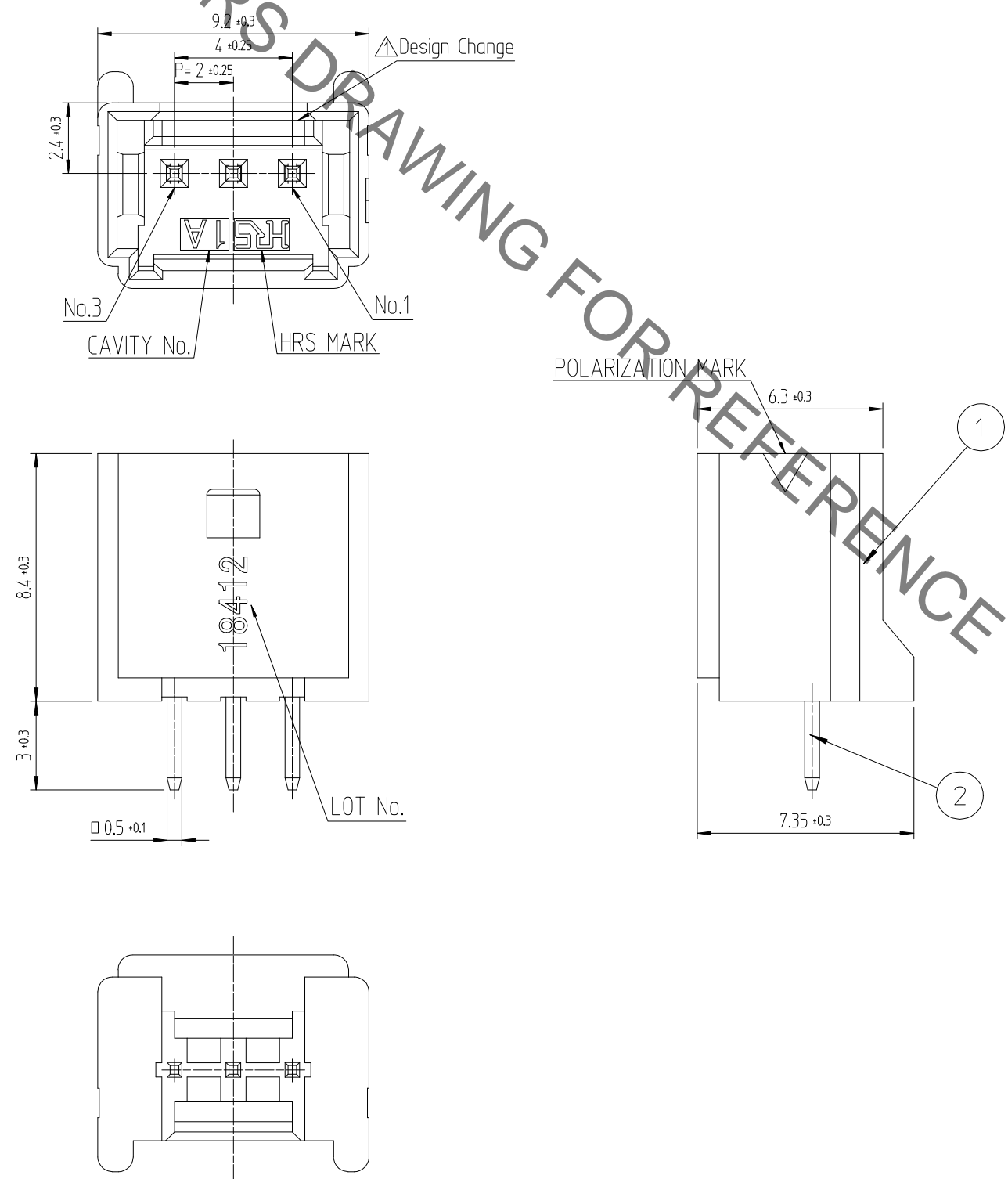
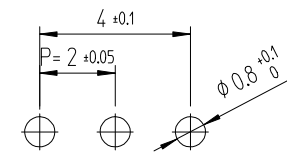


Mar.1.2020 Copyright 2020 HIROSE ELECTRIC CO., LTD. All Rights Reserved.
In case of consideration for using Automotive equipment / device which demand high reliability, kindly contact our sales window

△數 COUNT	訂正事項 DESCRIPTION OF REVISIONS	擔當 B Y	檢圖 CHKD	年月日 DATE	△數 COUNT	訂正事項 DESCRIPTION OF REVISIONS	擔當 B Y	檢圖 CHKD	年月日 DATE
①	1 RE-6-1150	K.I.Y	L.S.M	18. 07. 04	△				
②	2 RE-6-1579	K.I.Y	L.S.M	20. 01. 23	△				
△					△				



RECOMMENDED LAND PATTERN (FREE)
(PCB THICKNESS t=1.6mm)



NOTE 1. 1PACK CONTAINS 100PCS.
2. () DIMENSIONS ARE ONLY REFERENCE.
③ UL(File No. E132750) AUTHORIZATION ARTICLE.
C-UL(File No. E132750) AUTHORIZATION ARTICLE.



1		2	
NO.	MATERIAL	NO.	FINISH,REMARKS
1	△PA66	2	BRASS
	UL94V-0, BLACK		TIN PLATING 1μm MIN, OVER NICKEL 0.5μm MIN
CODE NO. (OLD)		FINISH,REMARKS	
		DRAWN	DESIGNED
		CHOI	CHOI
		17.12.22	17.12.22
		J.S	J.S
		CHECKED	APPROVED
		LIM	KANG
		17.12.22	17.12.22
		S.M	T.S
		RELEASED	
		ENG	
		20.02.12	
		DEPT	
DRAWING NO. EDC3-632303		PART NO. DF51K-3P-2DSA (800)	
SCALE 5:1		CODE NO. CL 6652-0002-4-800	
UNITS mm			
		1/1	