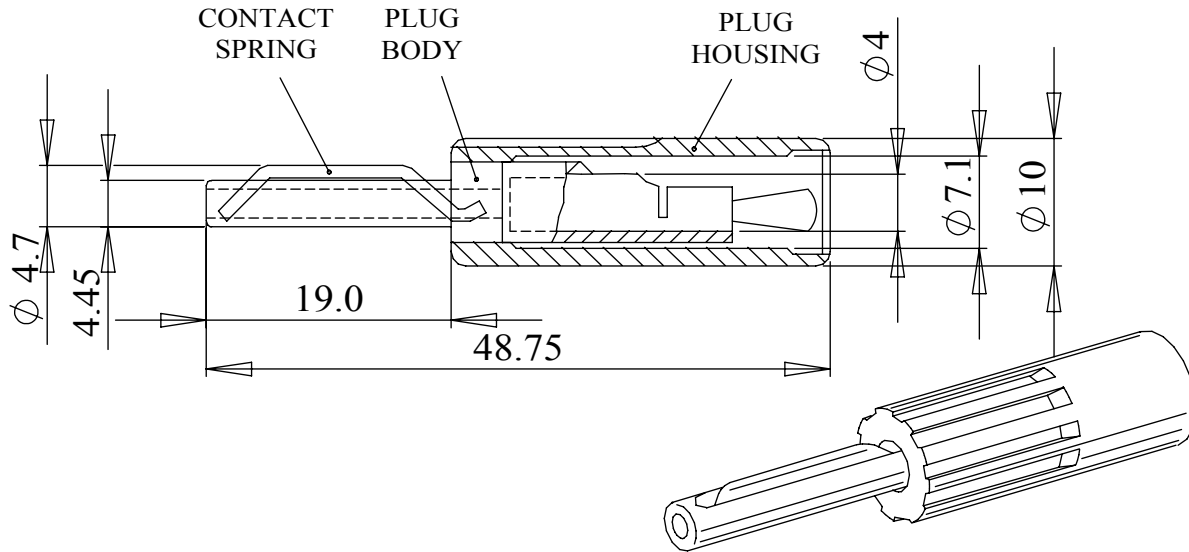


| | | | | | | | | | |
|-----|---|-------------|------------|-------------|---|---|---|---|---|
| REV | 1 | DATE | ECN NUMBER | ECR COMMENT | 3 | 4 | 5 | 6 | 7 |
| 003 | | 23 Oct 2017 | | | | | | | |

A standard in-line 4mm banana plug with a stainless steel contact spring.
 The large rear diameter of this plug will accept cables with a conductor of up 5,5mm (10 awg).
 The lead wire is held by soldering in a large solder bucket.

The product is also supplied with a large diameter insulating cover that accepts cables with a maximum outside diameter of 7,1mm. Silver plating Plug Body.

Dimensions



| Material | |
|----------------|------------------------|
| Contact spring | Stainless steel, BS302 |
| Plug body | Brass TR1 CZ 131 |
| Plug housing | Acetal, C 27021 R |
| Body plating | Silver plating |
| Rating | 16 Amps |
| Voltage | 50 Volts MAX |

| Part No. | Colour & Plug Plating | |
|----------|-----------------------|-----------------|
| 579-0100 | BLACK | (Silver Plated) |
| 579-0200 | BLUE | (Silver Plated) |
| 579-0300 | BROWN | (Silver Plated) |
| 579-0400 | GREEN | (Silver Plated) |
| 579-0500 | RED | (Silver Plated) |
| 579-0600 | WHITE | (Silver Plated) |
| 579-0700 | YELLOW | (Silver Plated) |

PROPRIETARY AND CONFIDENTIAL:
 THE INFORMATION CONTAINED IN THIS DRAWING IS THE SOLE PROPERTY OF ALPHA 3 MANUFACTURING. ANY REPRODUCTION IN PART OR AS A WHOLE WITHOUT THE WRITTEN PERMISSION OF ALPHA 3 MANUFACTURING IS PROHIBITED.
 DEM Manufacturing is a division of Alpha 3 Manufacturing LTD
 DEM Manufacturing, Deltron Emcon House, Hargreaves Way, Sawcliffe Ind. Park, Scunthorpe, North Lincolnshire, DN15 8RF, UK

UNLESS OTHERWISE SPECIFIED DIMENSIONS ARE IN MILLIMETRES
 LINEAR & RADIAL TOLERANCE:
NO DECIMAL PLACES: ±0.2mm
1 DECIMAL PLACE: ±0.1mm
2 DECIMAL PLACES: ±0.05mm
ANGULAR TOLERANCE: ±1°

IF IN DOUBT ASK! DO NOT SCALE DRAWING!
 FINISH STANDARD
 MATERIAL -
 THE FINISHED PRODUCT SHOULD BE CLEAN AND FREE FROM ALL LIQUIDS AND DEBRIS. SURFACES SHOULD BE OF UNIFORM APPEARANCE FREE FROM SHARP EDGES, BURRS AND CORROSION

AUTHOR Alex Yau
 EDITOR DT
 APPROVER DT
 THIRD ANGLE PROJECTION

TITLE GENERAL SPECIFICATION
 FILE 579 SERIES iss 003
 PART
 SHEET 1 OF 1
 SCALE 1:1 A4
 ISSUE/REV. 003
 RELEASED
 VERSION 6
 EDIT DATE 23 Oct 2017