

REVISION RECORD				
REV	ECN	DESCRIPTION	DRFT	DATE

**Technical characteristics:**

**Specifications**

DIN EN 60 664-1  
DIN EN 61 984

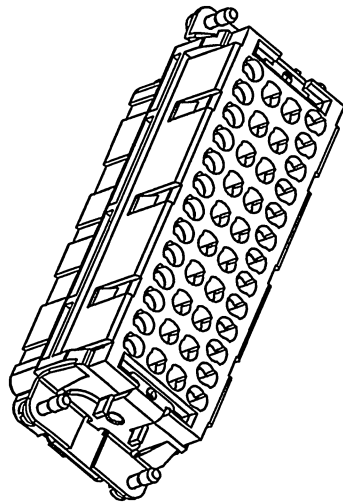
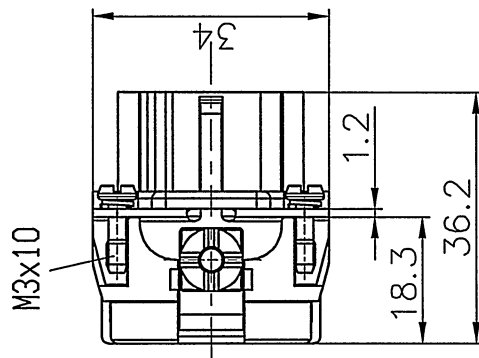
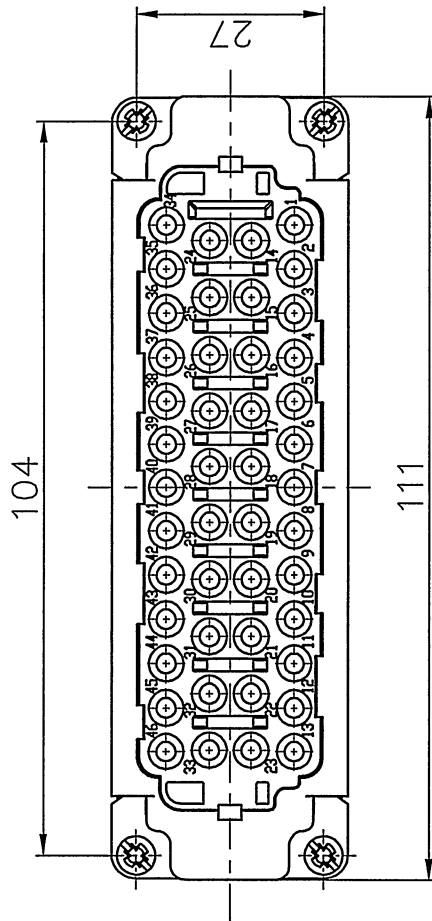
**Inserts**

01. Number of contacts : 46+PE
02. Rated Current : 16A
03. Rated Voltage : 500V
04. Pollution degree : 3
05. Rated impulse voltage : 6kV<sup>10</sup>
06. Insulation resistance :  $\geq 10\Omega$
07. Material: Polycarbonate
08. Rated voltage acc. to UL/CSA: 600V
09. Limiting temperatures : -40°C ~ +125°C
10. Flammability acc. to UL94: V0
11. Mechanical working life (mating cycles) :  $\geq 500$

**Contacts**

01. Material: Copper alloy
02. Surface: hard-silver plated
03. Contact resistance :  $\leq 1m\Omega$
04. Terminal : Crimp terminal
05. Wire gauge : 0.14-4.0mm<sup>2</sup> (AWG 26-12)
06. Stripping length : 7.5mm
07. Rohs Compliance

Note: Crimp contact pins should order separately



PART NO: /		DEGSON® NINGBO DEGSON ELECTRICAL CO., LTD	
APPD: HFS 2016.10.18	NAME: 宁波高松电子有限公司		
CHKD: Jm 2016.10.18	DEE-046-FC		
DRFT: Mr. Yang 2016.09.25	TITLE: CUSTOMER DRAWING		
THIRD ANGLE PROJECTION		REV	DO-1
MIN (INCH)		DRAWING NO.:	DEE-046-FC-E01
MAX (INCH)		SHEET	1/1
DO NOT SCALE		DRAWING SCALE	1:1

DETACHED LISTS