

REVISION RECORD				
REV	ECN	DESCRIPTION	DRFT	DATE

Technical characteristics:

Specifications
 DIN EN 60 664-1
 DIN EN 61 984

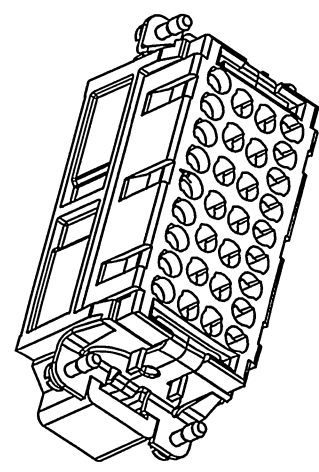
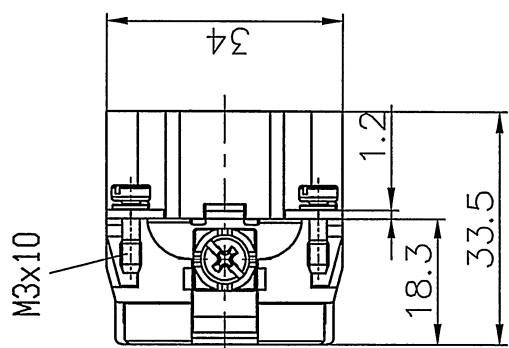
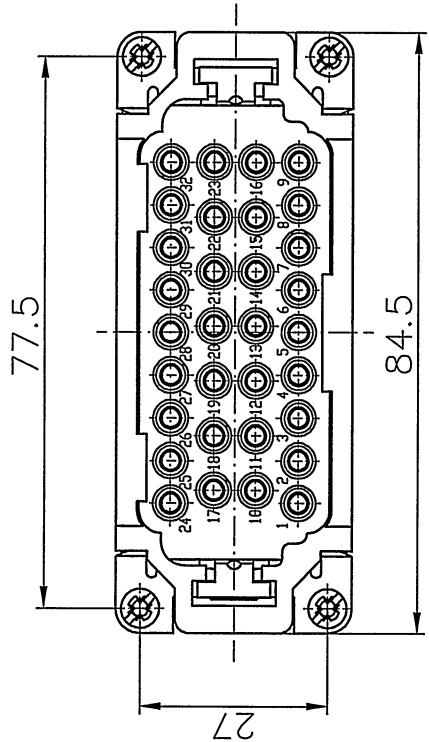
Inserts

- 01. Number of contacts : 32+PE
- 02. Rated Current : 16A
- 03. Rated Voltage : 500V
- 04. Pollution degree : 3
- 05. Rated impulse voltage : 6kv_u
- 06. Insulation resistance : $\geq 10 \Omega$
- 07. Material: Polycarbonate
- 08. Rated voltage acc. to UL/CSA: 600V
- 09. Limiting temperatures : -40°C ~ +125°C
- 10. Flammability acc. to UL94: V0
- 11. Mechanical working life (mating cycles) : ≥ 500

Contacts

- 01. Material: Copper alloy
- 02. Surface: hard-silver plated
- 03. Contact resistance : $\leq 1m\Omega$
- 04. Terminal : Crimp terminal
- 05. Wire gauge : 0.14-4.0mm² (AWG 26-12)
- 06. Stripping length : 7.5mm
- 07. Rohs Compliance

Note: Crimp contact pins should order separately



PART NO:	DEGSON® NINGBO DEGSON ELECTRICAL CO., LTD		NINGBO DEGSON ELECTRICAL CO., LTD	
	NAME: DEE-032-MC			
APPD:	CHKD:	DRFT:	TITLE:	REV:
2016.10.18	2016.10.18	Mr. Yang	CUSTOMER DRAWING	DO-1
2016.09.25			DRAWING NO.:	SHEET
THIRD ANGLE PROJECTION			DEE-032-MC-E01	1/1
MM (INCH)			DO NOT SCALE DRAWING	SCALE
2			1:1	1

DETACHED LISTS