

REVISION RECORD				
REV	ECN	DESCRIPTION	DRFT	DATE

Technical characteristics:

Specifications
 DIN EN 60 664-1
 DIN EN 61 984

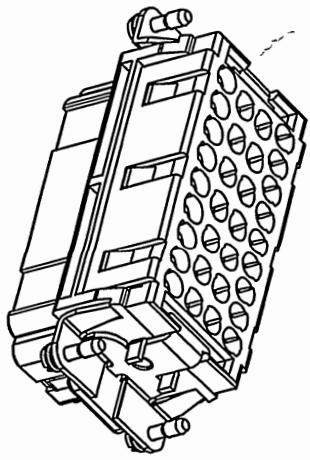
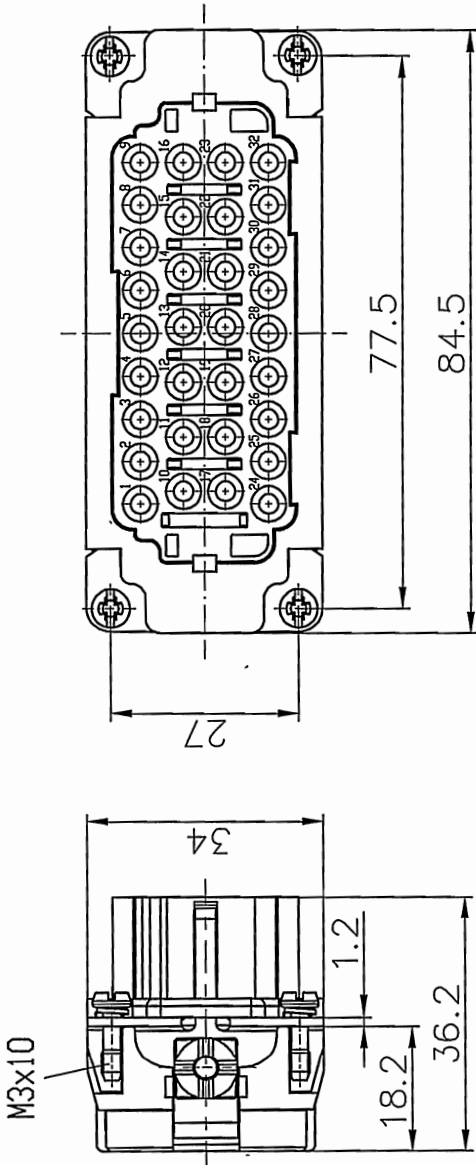
Inserts

- 01. Number of contacts : 32+PE
- 02. Rated Current : 16A
- 03. Rated Voltage : 500V
- 04. Pollution degree : 3
- 05. Rated impulse voltage : 6kv¹⁰
- 06. Insulation resistance : ≥10Ω
- 07. Material: Polycarbonate
- 08. Rated voltage acc. to UL/CSA: 600V
- 09. Limiting temperatures : -40°C~+125°C
- 10. Flammability acc. to UL94: V0
- 11. Mechanical working life (mating cycles) : ≥500

Contacts

- 01. Material: Copper alloy
- 02. Surface: hard-silver plated
- 03. Contact resistance : ≤1mΩ
- 04. Terminal : Crimp terminal
- 05. Wire gauge : 0.14-4.0mm² (AWG 26-12)
- 06. Stripping length : 7.5mm
- 07. Rohs Compliance

Note: Crimp contact pins should order separately



PART NO.: /		NINGBO DEGSON ELECTRICAL CO., LTD	
APPD: HJS 2016.9.28		NAME: DEE-032-FC	
CHKD: LJM 2016.9.28		TITLE: CUSTOMER DRAWING	
DRFT: Mr. Yang 2016.09.25		REV: DO-1	
THIRD ANGLE PROJECTION		DRAWING NO.: DEE-032-FC-E01	
		SHEET: 1/1	
		DO NOT SCALE DRAWING	
		SCALE: 1:1	