

1 2 3 4 5 6 7 8

REVISION RECORD				
REV	ECN	DESCRIPTION	DRFT	DATE

Technical characteristics:
 Specifications
 DIN EN 60 664-1
 DIN EN 61 984

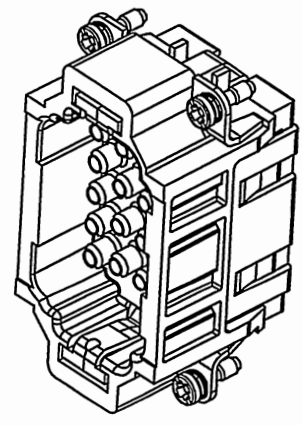
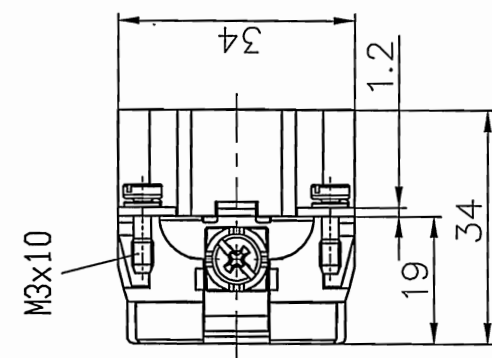
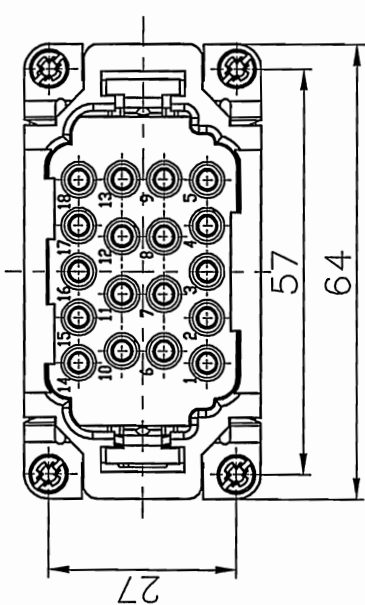
Inserts

- 01. Number of contacts :18+PE
- 02. Rated Current :16A
- 03. Rated Voltage :500V
- 04. Pollution degree :3
- 05. Rated impulse voltage :6kv₁₀
- 06. Insulation resistance :≥10Ω
- 07. Material:Polycarbonate
- 08. Rated voltage acc.to UL/CSA:600V
- 09. Limiting temperatures :~40℃~+125℃
- 10. Flammability acc.to UL94:V0
- 11. Mechanical working life (mating cycles) :≥500

Contacts

- 01. Material:Copper alloy
- 02. Surface:hard-silver plated
- 03. Contact resistance :≤1mΩ
- 04. Terminal :Crimp terminal
- 05. Wire gauge :0.14-4.0mm² (AWG 26-12)
- 06. Stripping length :7.5mm
- 07. Rohs Compliance

Note:Crimp contact pins should order separately



PART NO:	DEGSON® NINGBO DEGSON ELECTRICAL CO., LTD
APPD:	HYS 2016.9.29
CHKD:	JM 2016.9.28
DRFT:	Mr. Yang 2016.09.25
NAME:	DEE-018-MC
TITLE:	CUSTOMER DRAWING
DRAWING NO.:	DEE-018-MC-E01
REV	DO-1
SHEET	1/1
SCALE	1:1

THIRD ANGLE PROJECTION	2
MM (INCH)	1
DO NOT SCALE DRAWING	1