

1 2 3 4 5 6 7 8

REVISION RECORD				
REV	ECN	DESCRIPTION	DRFT	DATE

Technical characteristics:

Specifications
 DIN EN 60 664-1
 DIN EN 61 984

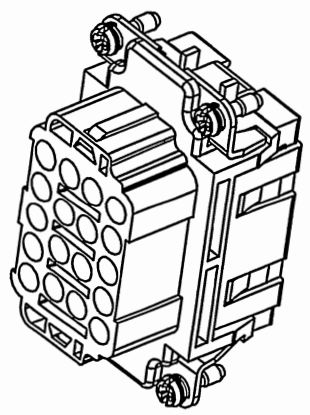
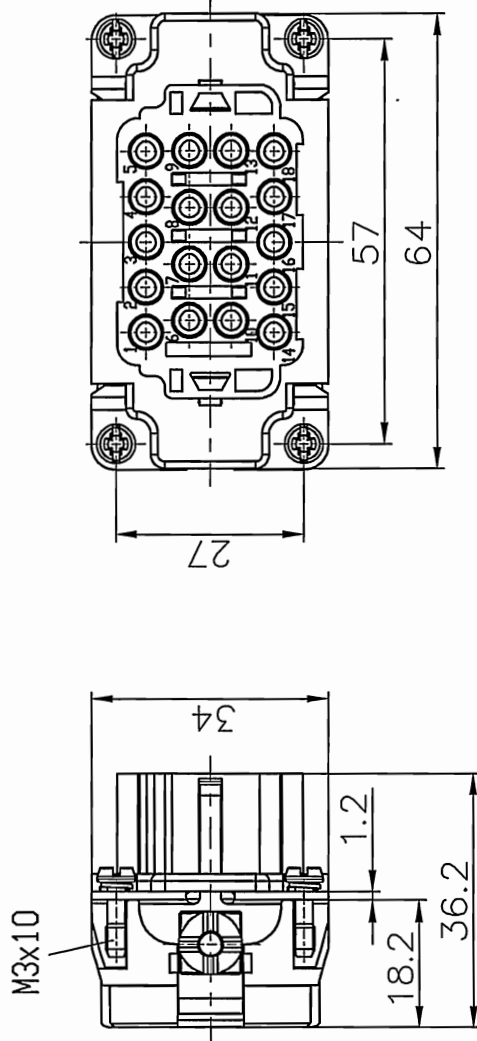
Inserts

01. Number of contacts : 18+PE
02. Rated Current : 16A
03. Rated Voltage : 500V
04. Pollution degree : 3
05. Rated impulse voltage : 6kv₁₀
06. Insulation resistance : $\geq 10 \Omega$
07. Material: Polycarbonate
08. Rated voltage acc. to UL/CSA: 600V
09. Limiting temperatures : -40°C~+125°C
10. Flammability acc. to UL94: V0
11. Mechanical working life (mating cycles) : ≥ 500

Contacts

01. Material: Copper alloy
02. Surface: hard-silver plated
03. Contact resistance : $\leq 1m \Omega$
04. Terminal : Crimp terminal
05. Wire gauge : 0.14-4.0mm² (AWG 26-12)
06. Stripping length : 7.5mm
07. Rohs Compliance

Note: Crimp contact pins should order separately



PART NO: /		NINGBO DEGSON ELECTRICAL CO., LTD	
APPD: HYS 2016.10.18		NAME: 宁波高松电子有限公司	
CHKD: Jm. 2016.10.18		DEE-018-FC	
DRFT: Mr. Yang 2016.09.25		TITLE: CUSTOMER DRAWING	
THIRD ANGLE PROJECTION		DRAWING NO: DEE-018-FC-E01	
DO NOT SCALE DRAWING		REV DO-1	
SCALE 1:1		SHEET 1/1	