

REVISION RECORD				
REV	ECN	DESCRIPTION	DRFT	DATE

**Technical characteristics:**

Specifications  
 DIN EN 60 664-1  
 DIN EN 61 984

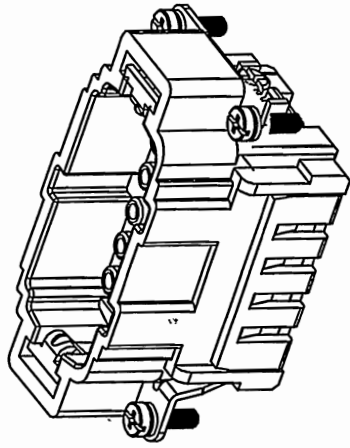
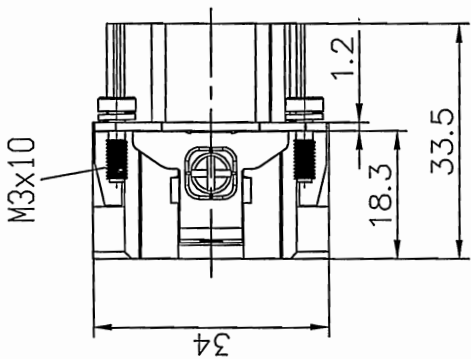
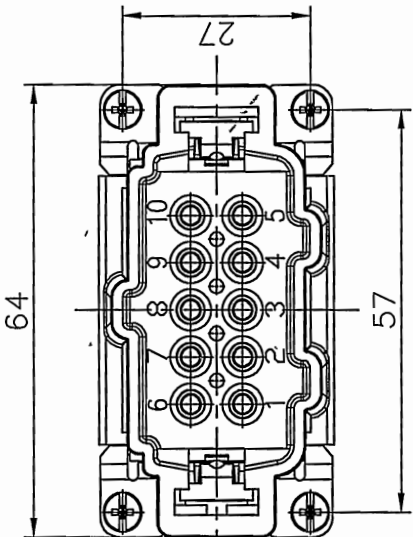
**Inserts**

- 01. Number of contacts :10+PE
- 02. Rated Current :16A
- 03. Rated Voltage :500V
- 04. Pollution degree :3
- 05. Rated impulse voltage :6kv<sup>10</sup>
- 06. Insulation resistance :≥10Ω
- 07. Material:Polycarbonate
- 08. Rated voltage acc. to UL/CSA:600V
- 09. Limiting temperatures : -40℃~+125℃
- 10. Flammability acc. to UL94:V0
- 11. Mechanical working life (mating cycles) :≥500

**Contacts**

- 01. Material:Copper alloy
- 02. Surface:hard-silver plated
- 03. Contact resistance :≤1mΩ
- 04. Terminal :Crimp terminal
- 05. Wire gauge :0.14-4.0mm<sup>2</sup> (AWG 26-12)
- 06. Stripping length :7.5mm
- 07. Rohs Compliance

Note:Crimp contact pins should order separately



PART NO.: /		DEGSON® NINGBO DEGSON ELECTRICAL CO., LTD	
APPD: HYS 2016.8.6	NAME: 宁波高松电子有限公司		
CHKD: JY 2016.9.5	TITLE: CUSTOMER DRAWING DE-010-MC		
DRFT: Mr. Yang 2016.08.08	DRAWING NO.: /		
THIRD ANGLE PROJECTION		DO NOT SCALE	DRAWING SCALE 1:1
DETACHED LISTS		REV DO	1/1
		SHEET	1/1
		SCALE	1:1