

REVISION RECORD				
REV	ECN	DESCRIPTION	DRFT	DATE

Technical characteristics:

Specifications

- DIN EN 60 664-1
- DIN EN 61 984

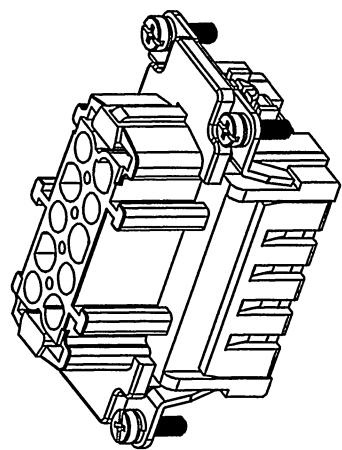
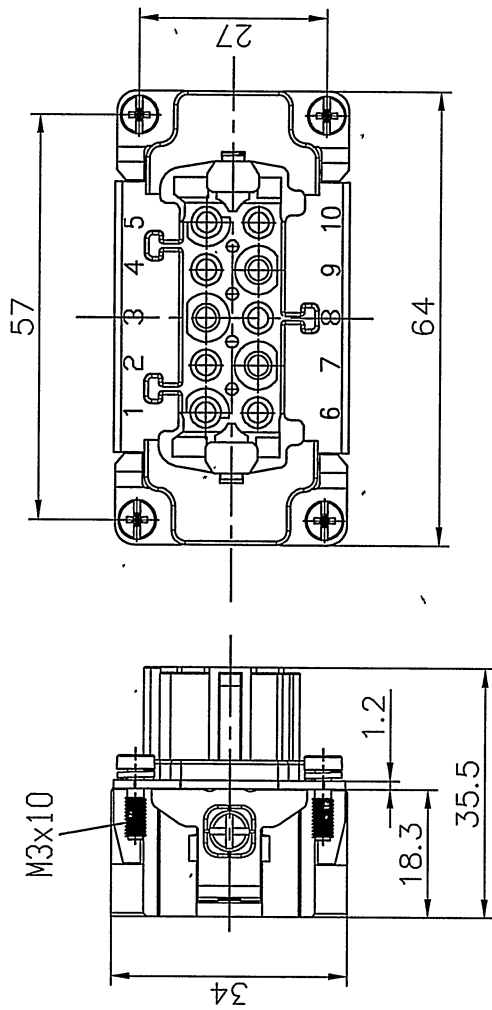
Inserts

- 01. Number of contacts :10+PE
- 02. Rated Current :16A
- 03. Rated Voltage :500V
- 04. Pollution degree :3
- 05. Rated impulse voltage :6kv¹⁰
- 06. Insulation resistance :≥10Ω
- 07. Material:Polycarbonate
- 08. Rated voltage acc. to UL/CSA:600V
- 09. Limiting temperatures : -40°C~+125°C
- 10. Flammability acc. to UL94:V0
- 11. Mechanical working life (mating cycles) : ≥500

Contacts

- 01. Material:Copper alloy
- 02. Surface:hard-silver plated
- 03. Contact resistance : ≤1mΩ
- 04. Terminal :Crimp terminal
- 05. Wire gauge :0.14~4.0mm² (AWG 26-12)
- 06. Stripping length :7.5mm
- 07. Rohs Compliance

Note:Crimp contact pins should order separately



PART NO: /		DEGSON® NINGBO DEGSON ELECTRICAL CO., LTD	
APPD: HJS 2016.9.6		NAME: 宁波高松电子有限公司	
CHKD: Ljm 2016.9.5		DE-010-FC	
DRFT: Mr.Yang 2016.08.08		TITLE: CUSTOMER DRAWING	
THIRD ANGLE PROJECTION		DRAWING NO: /	
DO NOT SCALE		REV: DO	
1:1		SHEET: 1/1	
1		SCALE: 1:1	

DETACHED LISTS