

REVISION RECORD				
REV	ECN	DESCRIPTION	DRFT	DATE

**Technical characteristics:**

**Specifications**  
 DIN EN 60 664-1  
 DIN EN 61 984

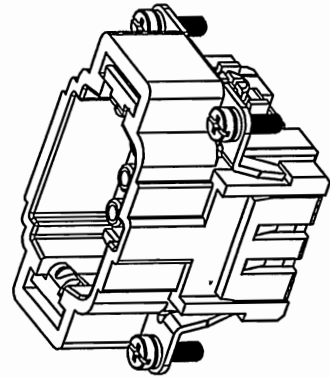
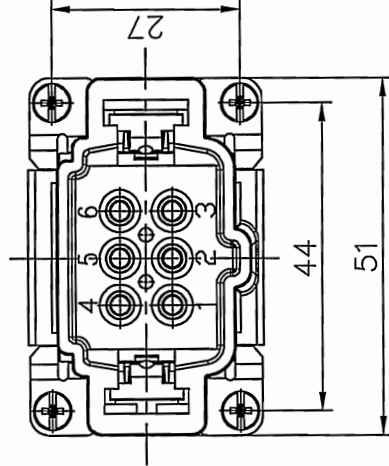
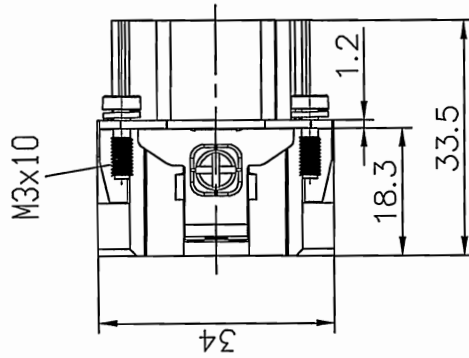
**Inserts**

01. Number of contacts : 6+PE
02. Rated Current : 16A
03. Rated Voltage : 500V
04. Pollution degree : 3
05. Rated impulse voltage : 6kv<sub>10</sub>
06. Insulation resistance :  $\geq 10\Omega$
07. Material: Polycarbonate
08. Rated voltage acc. to UL/CSA: 600V
09. Limiting temperatures : -40°C ~ +125°C
10. Flammability acc. to UL94: V0
11. Mechanical working life (mating cycles) :  $\geq 500$

**Contacts**

01. Material: Copper alloy
02. Surface: hard-silver plated
03. Contact resistance :  $\leq 1m\Omega$
04. Terminal : Crimp terminal
05. Wire gauge : 0.14-4.0mm<sup>2</sup> (AWG 26-12)
06. Stripping length : 7.5mm
07. Rohs Compliance

Note: Crimp contact pins should order separately



PART NO: /		NINGBO DEGSON ELECTRICAL CO., LTD	
APPD: HJS 2016.9.6	NAME:	DE-006-MC	
CHKD: JH 2016.9.5	TITLE: CUSTOMER DRAWING	REV	DO
DRFT: Mr. Yang 2016.08.08	DRAWING NO: /	SHEET	1/1
THIRD ANGLE PROJECTION		DO NOT SCALE DRAWING	
MM (INCH)		SCALE	1:1

DETACHED LISTS