

REVISION RECORD				
REV	ECN	DESCRIPTION	DRFT	DATE

**Technical characteristics:**

**Specifications**  
 DIN EN 60 664-1  
 DIN EN 61 984

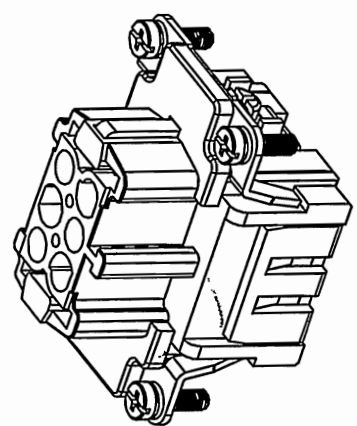
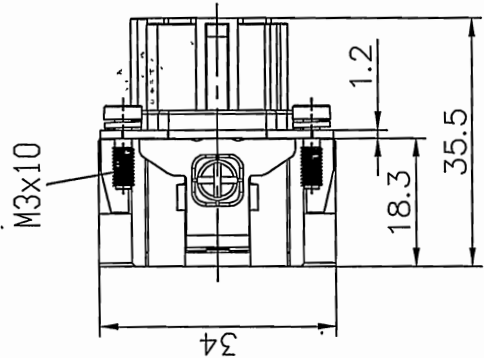
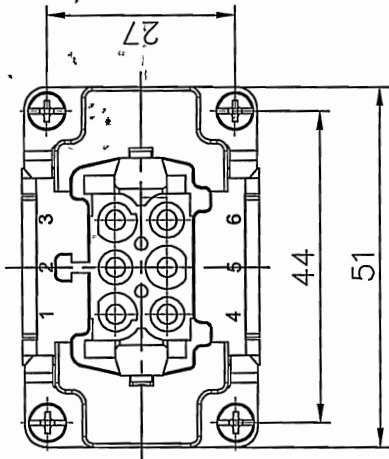
**Inserts**

- 01. Number of contacts : 6+PE
- 02. Rated Current : 16A
- 03. Rated Voltage : 500V
- 04. Pollution degree : 3
- 05. Rated impulse voltage : 6kv<sup>10</sup>
- 06. Insulation resistance : ≥10Ω
- 07. Material: Polycarbonate
- 08. Rated voltage acc. to UL/CSA: 600V
- 09. Limiting temperatures : -40°C ~ +125°C
- 10. Flammability acc. to UL94: V0
- 11. Mechanical working life (mating cycles) : ≥500

**Contacts**

- 01. Material: Copper alloy
- 02. Surface: hard-silver plated
- 03. Contact resistance : ≤1mΩ
- 04. Terminal : Crimp terminal
- 05. Wire gauge : 0.14-4.0mm<sup>2</sup> (AWG 26-12)
- 06. Stripping length : 7.5mm
- 07. Rohs Compliance

Note: Crimp contact pins should order separately



PART NO: / APPD: HJS 2016.9.6 CHKD: Jm 2016.9.5 DRFT: Mr. Yang 2016.08.08	 THIRD ANGLE PROJECTION	 DO NOT SCALE DRAWING	SCALE 1:1 SHEET 1/1 REV DO	
				NAME: NINGBO DEGSON ELECTRICAL CO., LTD
				TITLE: CUSTOMER DRAWING
				DE-006-FC

DETACHED LISTS