

REVISION RECORD				
REV	ECN	DESCRIPTION	DRFT	DATE

**Technical characteristics:**

Specifications  
 DIN EN 60 664-1  
 DIN EN 61 984

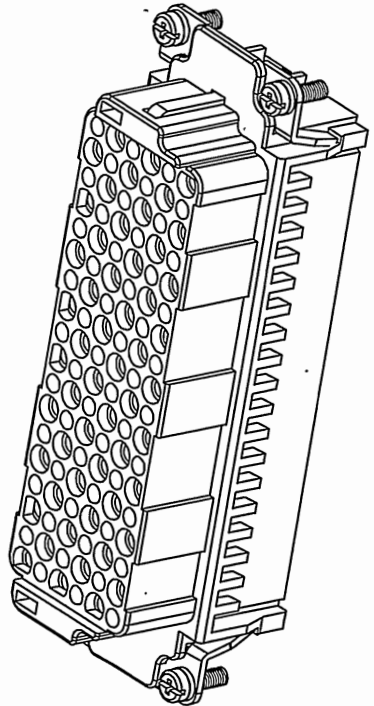
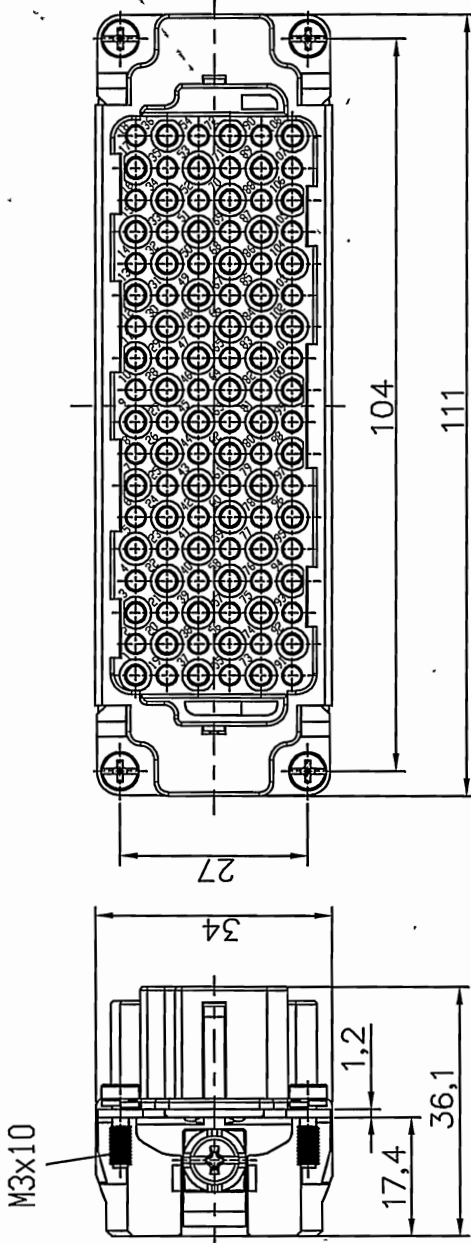
**Inserts**

01. Number of contacts :108+PE
02. Rated Current :10A
03. Rated Voltage :250V
04. Pollution degree :3
05. Rated impulse voltage :4kV<sup>10</sup>
06. Insulation resistance :≥10Ω
07. Material:Polycarbonate
08. Rated voltage acc. to UL/CSA:600V
09. Limiting temperatures : -40°C~+125°C
10. Flammability acc. to UL94:V0
11. Mechanical working life (mating cycles) :≥500

**Contacts**

01. Material:Copper alloy
02. Surface:hard-silver plated
03. Contact resistance :≤3mΩ
04. Terminal :Crimp terminal
05. Wire gauge :0.14-2.5mm<sup>2</sup> (AWG 26-14)
06. Stripping length :6-8mm

Note:Crimp contact pins should order separately



PART NO.:	/	NAME:	宁波高松电子有限公司
APPD:	MJS 2016.10.20	TITLE:	CUSTOMER DRAWING
CHKD:	JLW 2016.10.18	DRAWING NO.:	DDD-108-FC-E01
DRFT:	Mr. Yang 2016.09.25	REV	DO-1
THIRD ANGLE PROJECTION		DO NOT SCALE DRAWING	SHEET 1/1
DETACHED LISTS		SCALE	1:1