

REVISION RECORD				
REV	ECN	DESCRIPTION	DRFT	DATE

Technical characteristics:

Specifications
 DIN EN 60 664-1
 DIN EN 61 984

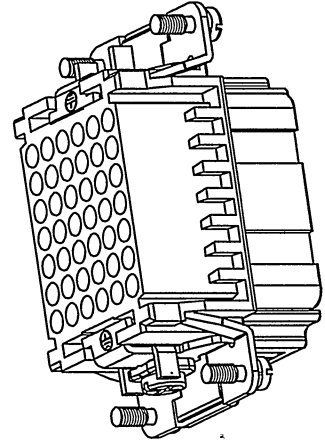
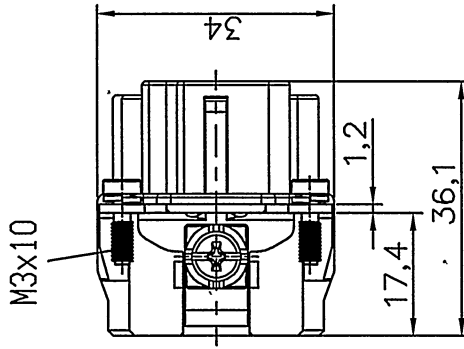
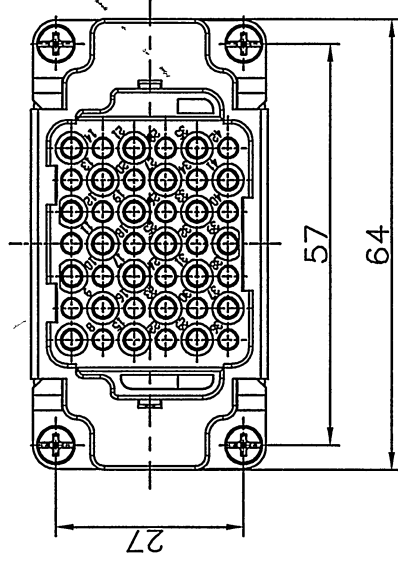
Inserts

01. Number of contacts : 42+PE
02. Rated Current : 10A
03. Rated Voltage : 250V
04. Pollution degree : 3
05. Rated impulse voltage : 4kv¹⁰
06. Insulation resistance : $\geq 10 \Omega$
07. Material: Polycarbonate
08. Rated voltage acc. to UL/CSA: 600V
09. Limiting temperatures : -40°C ~ +125°C
10. Flammability acc. to UL94: V0
11. Mechanical working life (mating cycles) : ≥ 500

Contacts

01. Material: Copper alloy
02. Surface: hard-silver plated
03. Contact resistance : $\leq 8m\Omega$
04. Terminal : Crimp terminal
05. Wire gauge : 0.14-2.5mm² (AWG 26-14)
06. Stripping length : 6-8mm

Note: Crimp contact pins should order separately



PART NO:	/	NINGBO DEGSON ELECTRICAL CO., LTD
APPD:	HJS 2016.10.19	NAME: 宁波高松电子有限公司
CHKD:	ZJM 2016.10.18	NAME: DDD-042-FC
DRFT:	Mr. Yang 2016.09.25	TITLE: CUSTOMER DRAWING
THIRD ANGLE PROJECTION		REV DO-1
DO NOT SCALE DRAWING		REVISION SHEET 1/1
SCALE 1:1		

DETACHED LISTS