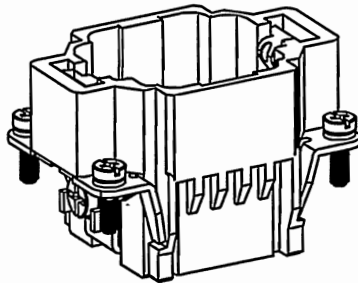
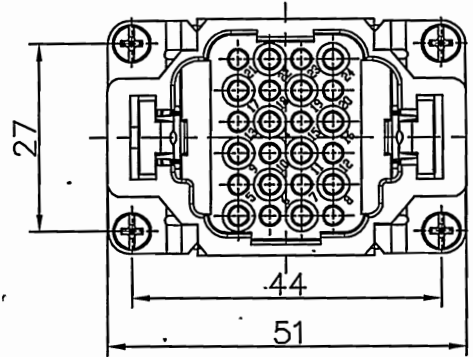
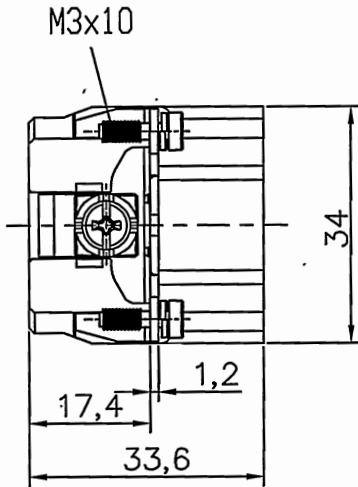


REVISION RECORD				
REV	ECN	DESCRIPTION	DRFT	DATE



Technical characteristics:

Specifications  
 DIN EN 60 664-1  
 DIN EN 61 984

Inserts

01. Number of contacts :24+PE
02. Rated Current :10A
03. Rated Voltage :250V
04. Pollution degree :3
05. Rated impulse voltage :4kv
06. Insulation resistance : $\geq 10^{10} \Omega$
07. Material:Polycarbonate
08. Rated voltage acc. to UL/CSA:600V
09. Limiting temperatures : $-40^{\circ}\text{C} \sim +125^{\circ}\text{C}$
10. Flammability acc. to UL94:V0
11. Mechanical working life (mating cycles) : $\geq 500$

Contacts

01. Material:Copper alloy
02. Surface:hard-silver plated
03. Contact resistance : $\leq 3\text{m}\Omega$
04. Terminal :Crimp terminal
05. Wire gauge :0.14-2.5mm<sup>2</sup> (AWG 26-14)
06. Stripping length :6-8mm

Note:Crimp contact pins should order separately

DETACHED LISTS	PART NO.: /	宁波高松电子有限公司 NINGBO DEGSON ELECTRICAL CO., LTD			
	APPD: <i>HYS 2016.10.18</i>	NAME: DDD-024-MC			
	CHKD: <i>LJM 2016.10.18</i>	TITLE: CUSTOMER DRAWING			
	DRFT: Mr. Yang 2016.09.25	REV	DO-1		
	THIRD ANGLE PROJECTION	DRAWING NO.: DDD-024-MC-E01	SHEET	1/1	
	DO NOT SCALE DRAWING	SCALE	1:1		