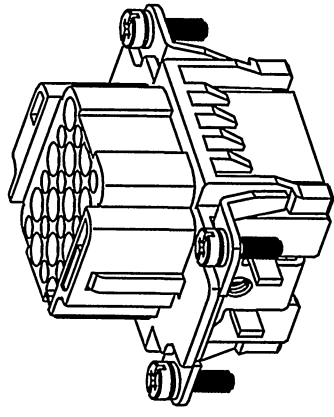
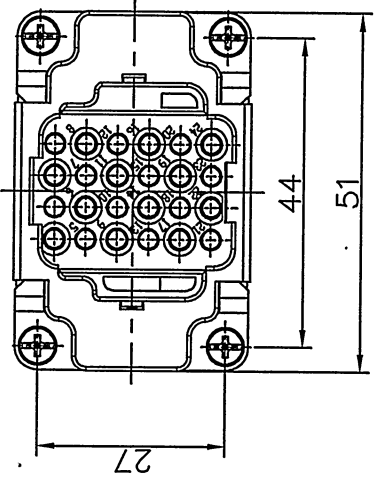
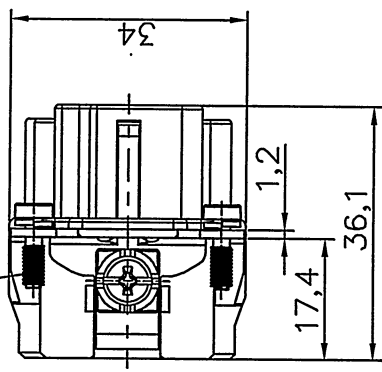


2 3 4 5 6 7 8

REVISION RECORD				
REV	ECN	DESCRIPTION	DRFT	DATE

M3x10



Technical characteristics:

Specifications
 DIN EN 60 664-1
 DIN EN 61 984

Inserts

01. Number of contacts :24+PE
02. Rated Current :10A
03. Rated Voltage :250V
04. Pollution degree :3
05. Rated impulse voltage :4kv₁₀
06. Insulation resistance :≥10¹⁰Ω
07. Material:Polycarbonate
08. Rated voltage acc. to UL/CSA:600V
09. Limiting temperatures : -40°C~+125°C
10. Flammability acc. to UL94:V0
11. Mechanical working life (mating cycles) :≥500

Contacts

01. Material:Copper alloy
02. Surface:hard-silver plated
03. Contact resistance :≤3mΩ
04. Terminal :Crimp terminal
05. Wire gauge :0.14-2.5mm² (AWG 26-14)
06. Stripping length :6-8mm

Note:Crimp contact pins should order separately

PART NO.: /		NINGBO DEGSON ELECTRICAL CO., LTD	
APPD: HJS 2016.10.18	NAME:	宁波高松电子有限公司	
CHKD: LJM 2016.10.18	TITLE: CUSTOMER DRAWING	DDD-024-FC	
DRFT: Mr.Yang 2016.09.25	DRAWING NO.: DDD-024-FC-E01	REV	DO-1
THIRD ANGLE PROJECTION	MM (INCH)	SHEET	1/1
		DO NOT SCALE DRAWING	SCALE 1:1

A B C D E F G H