

REVISION RECORD				
REV	ECN	DESCRIPTION	DRFT	DATE

**Technical characteristics:**

Specifications  
 DIN EN 60 664-1  
 DIN EN 61 984

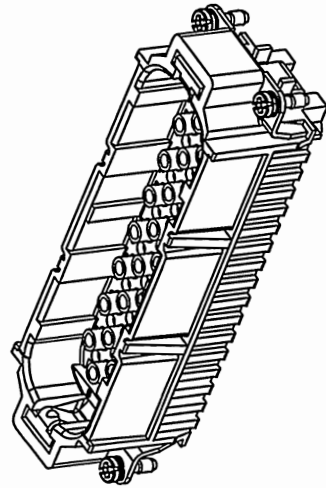
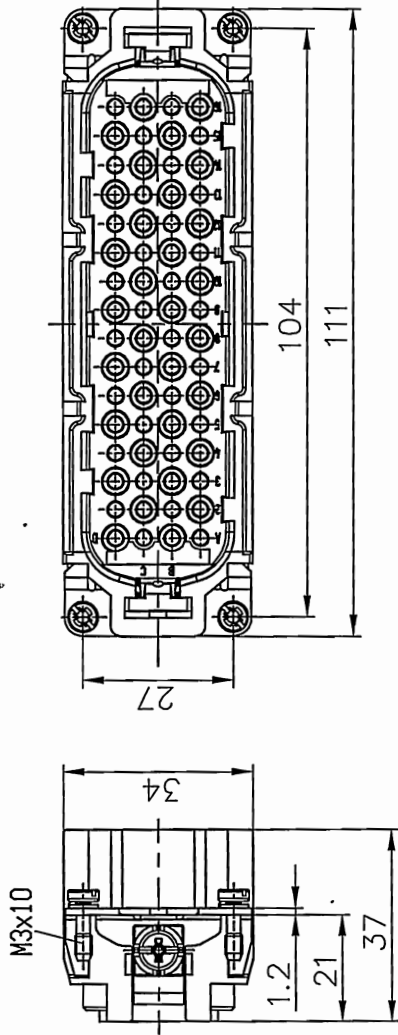
**Inserts**

- 01. Number of contacts :64+PE
- 02. Rated Current :10A
- 03. Rated Voltage :250V
- 04. Pollution degree :3
- 05. Rated impulse voltage :4kv<sub>10</sub>
- 06. Insulation resistance :≥10Ω
- 07. Material:Polycarbonate
- 08. Rated voltage acc.to UL/CSA:600V
- 09. Limiting temperatures :-40℃~+125℃
- 10. Flammability acc.to UL94:V0
- 11. Mechanical working life (mating cycles) :≥500

**Contacts**

- 01. Material:Copper alloy
- 02. Surface:hard-silver plated
- 03. Contact resistance :≤3mΩ
- 04. Terminal :Crimp terminal
- 05. Wire gauge :0.14-2.5mm<sup>2</sup> (AWG 26-14)
- 06. Stripping length :8.0mm
- 07. Rohs Compliance

Note:Crimp contact pins should order separately



PART NO: /		NINGBO DEGSON ELECTRICAL CO., LTD	
APPD: HYS 2016.8.25		NAME: DD-064-MC	
CHKD: Ljm 2016.8.25		TITLE: CUSTOMER DRAWING	
DRFT: Mr.Yang 2016.07.25		REV	DO-1
THIRD ANGLE PROJECTION		DRAWING NO.:	DD-064-MC-E01
		MM (INCH)	DO NOT SCALE DRAWING
		SHEET	1/1
		SCALE	

DETACHED LISTS