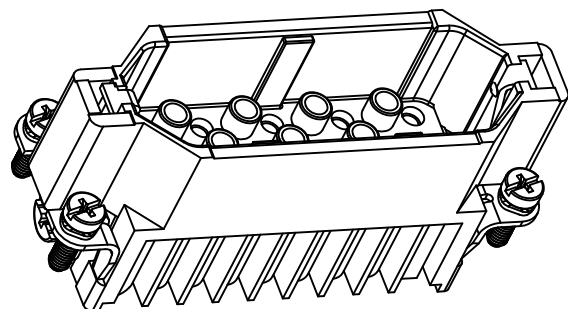
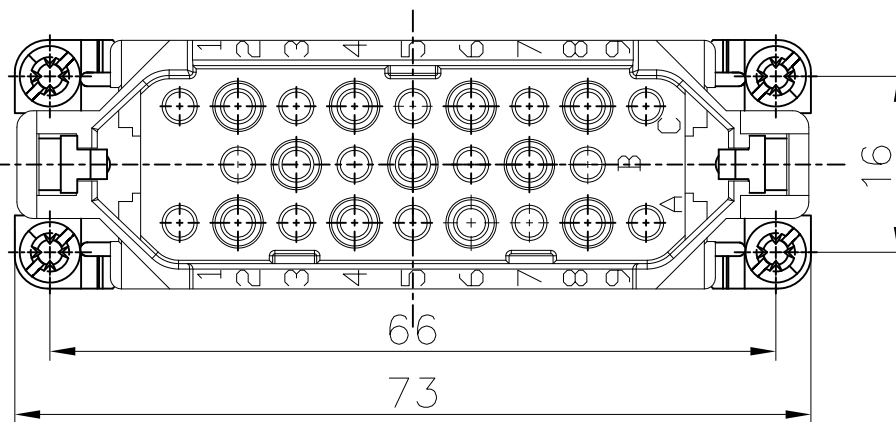
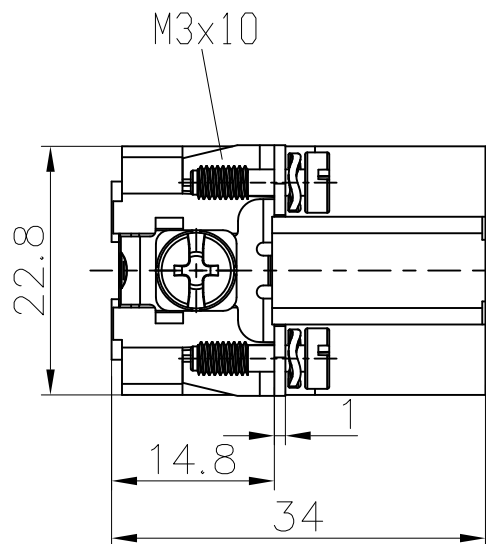


REVISION RECORD				
REV	ECN	DESCRIPTION	DRFT	DATE



Technical characteristics:

Specifications
 DIN EN 60 664-1
 DIN EN 61 984


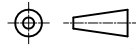
Inserts

- 01. Number of contacts :25+PE
- 02. Rated Current :10A
- 03. Rated Voltage :250V
- 04. Pollution degree :3
- 05. Rated impulse voltage :4kv
- 06. Insulation resistance : $\geq 10^{10} \Omega$
- 07. Material:Polycarbonate
- 08. Rated voltage acc. to UL/CSA:600V
- 09. Limiting temperatures : $-40^{\circ}\text{C} \sim +125^{\circ}\text{C}$
- 10. Flammability acc. to UL94:V0
- 11. Mechanical working life (mating cycles) : ≥ 500

Contacts

- 01. Material:Copper alloy
- 02. Surface:hard-silver plated
- 03. Contact resistance : $\leq 3\text{m}\Omega$
- 04. Terminal :Crimp terminal
- 05. Wire gauge :0.14-2.5mm² (AWG 26-14)
- 06. Stripping length :8.0mm
- 07. Rohs Compliance

Note:Crimp contact pins should order separately

DETACHED LISTS	PART NO.:	/	 宁波高松电子有限公司 NINGBO DEGSON ELECTRICAL CO., LTD	
	APPD:	NAME: DD-025-MC		
	CHKD:	TITLE: CUSTOMER DRAWING		
	DRFT: Mr.Yang 2016.07.25	DRAWING NO.:	/	REV
 THIRD ANGLE PROJECTION		MM (INCH)	DO NOT SCALE DRAWING	SHEET 1/1
			SCALE	2:1