

REVISION RECORD			
REV	ECN	DESCRIPTION	DATE

Technical characteristics:

Specifications
 DIN EN 60 664-1
 DIN EN 61 984

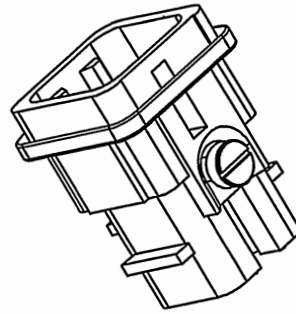
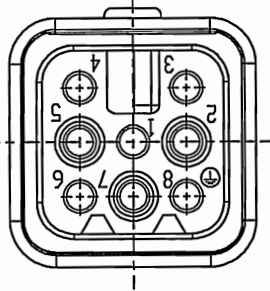
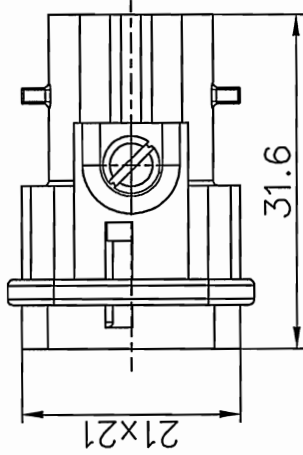
Inserts

- 01. Number of contacts :8
- 02. Rated Current :10A
- 03. Rated Voltage :~50V / -120V
- 04. Pollution degree :3
- 05. Rated impulse voltage :0.8KV
- 06. Insulation resistance :≥10⁹Ω
- 07. Material:Polycarbonate
- 08. Rated voltage acc. to UL/CSA :50V
- 09. Rated voltage (direct voltage) :120V
- 10. Limiting temperatures : -40℃~+125℃
- 11. Flammability acc. to UL94:V0
- 12. Mechanical working life (mating cycles) : ≥500

Contacts

- 01. Material:Copper alloy
- 02. Surface:hard-silver plated
- 03. Contact resistance :≤3mΩ
- 04. Terminal :Crimp terminal
- 05. Wire gauge :0.14-2.5mm² (AWG 26-14)
- 06. Stripping length :6.0-8.0mm
- 07. Rohs Compliance

Note:Crimp contact pins should order separately



PART NO: /	NINGBO DEGSON® 宁波高松电子有限公司	
	NAME: DD-008-MC	
	TITLE: CUSTOMER DRAWING	
	REV	DO-1
APPD: HJS 2016.8.30	DRAWING NO: DD-008-MC-E01	
CHKD: Jjm 2016.8.25	SCALE	
DRFT: Mr. Yang 2016.07.25	DO NOT SCALE DRAWING	
THIRD ANGLE PROJECTION		1

DETACHED LISTS