

REVISION RECORD				
REV	ECN	DESCRIPTION	DRFT	DATE

Technical characteristics:

Specifications  
 DIN EN 60 664-1  
 DIN EN 61 984

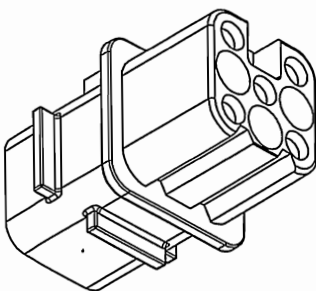
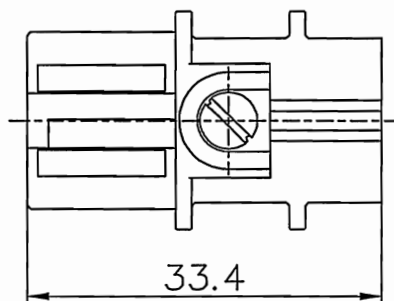
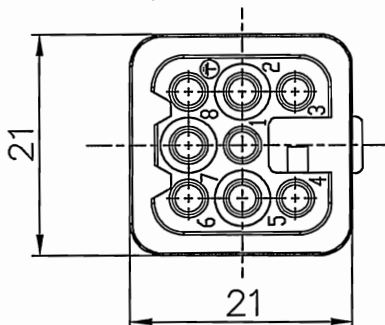
Inserts

01. Number of contacts :8
02. Rated Current :10A
03. Rated Voltage :~50V / -120V
04. Pollution degree :3
05. Rated impulse voltage :0.8KV
06. Insulation resistance : $\geq 10^9 \Omega$
07. Material:Polycarbonate
08. Rated voltage acc. to UL/CSA :50V
09. Rated voltage (direct voltage) :120V
10. Limiting temperatures : -40°C ~ +125°C
11. Flammability acc. to UL94:V0
12. Mechanical working life (mating cycles) : $\geq 500$

Contacts

01. Material:Copper alloy
02. Surface:hard-silver plated
03. Contact resistance : $\leq 3m \Omega$
04. Terminal :Crimp terminal
05. Wire gauge :0.14-2.5mm<sup>2</sup> (AWG 26-14)
06. Stripping length :6.0-8.0mm
07. Rohs Compliance

Note:Crimp contact pins should order separately



DETACHED LISTS	PART NO.: /	宁波高松电子有限公司 NINGBO DEGSON ELECTRICAL CO., LTD		
	APPD: HJS 2016.8.25	NAME: DD-008-FC		
	CHKD: LJM 2016.8.25	TITLE: CUSTOMER DRAWING		
	DRFT: Mr. Yang 2016.07.25	REV	DO-1	
	THIRD ANGLE PROJECTION	DRAWING NO.: DD-008-FC-E01	SHEET	1/1
	DO NOT SCALE DRAWING	SCALE		