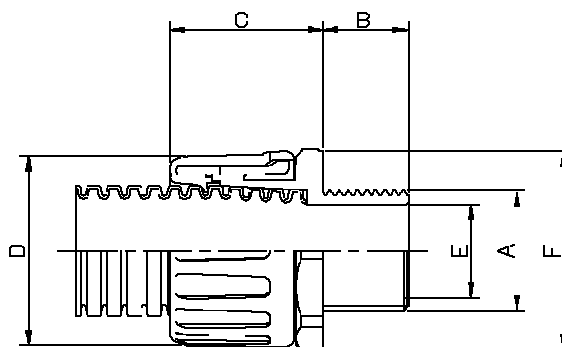


DATA SHEET	55506305
SILVYN® FPAG-M	valid from : 30.05.2006

Specification:

The SILVYN® FPAG-M conduit gland compatible for the protective cable conduit SILVYN® FPAS, provides a high tensile strength with it all round teeth and vibrations protection. The gland can be removed from the conduit using a tooling (small screwdriver).



Dimensions table:

part number	measurement M Ø A	D mm	E mm	C mm	B mm	F/wrench size mm	suitable for SILVYN FPAS
5550 6305	M 12x1,5	19,0	7,0	24,0	9,0	18,0	10
5550 6315	M 16x1,5/1	24,0	11,0	27,0	11,0	22,0	13
5550 6325	M 16x1,5/2	29,0	11,0	26,0	11,0	28,0	16
5550 6335	M 20x1,5/1	29,0	15,0	26,0	14,0	28,0	16
5550 6345	M 20x1,5/2	32,0	15,0	30,0	14,0	30,0	21
5550 7055	M 20x1,5	32,0	15,0	30,0	14,0	30,0	18
5550 6355	M 25x1,5	44,0	19,0	35,0	15,0	42,0	28
5550 6365	M 32x1,5	51,0	25,0	37,0	16,0	49,0	34
5550 6375	M 40x1,5	63,0	33,0	45,0	16,0	60,0	42
5550 6385	M 50x1,5/1	63,0	39,0	45,0	16,0	73,0	42
5550 6395	M 50x1,5/2	76,0	40,0	49,0	16,0	73,0	54
5550 6405	M 63x1,5/1	76,0	56,0	49,0	16,0	73,0	54
5550 6475	M 63x1,5/2	90,0	56,0	54,0	16,0	86,0	67



DATA SHEET	55506305
SILVYN® FPAG-M	valid from : 30.05.2006

Technical feature: temperature range: -40°C up to +135°C
colour: black RAL 9005, grey RAL 7011
material: PA 66
protections class: IP 66
fire class: UL 94 V2

Characteristics: halogen free
flame retardant
low toxicity
oil and solvent resistant
UV resistant in black

Approval:



For more information please see our current catalogue.
Please do not hesitate to contact our laboratory if there any questions regarding
resistance against aggressive agents and special oil.