



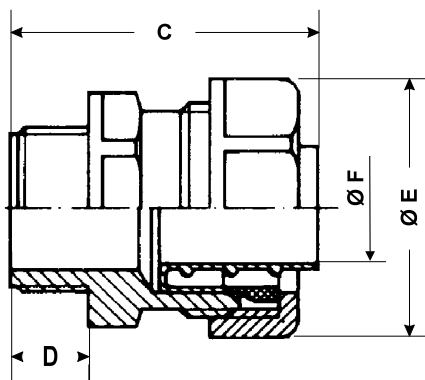
|                      |                            |
|----------------------|----------------------------|
| <b>DATA SHEET</b>    | 5550 1300                  |
| <b>SILVYN® USK-M</b> | valid from :<br>10.12.2015 |

The SILVYN® USK-M is an all plastic screwed conduit connector with hexagonal wrench surface and a metric thread. The screw connection is simple and safely to assembling and can only use in combination with the protective tube. The applications are in machine and plant construction and also in protection isolation electric installations.

- Material:** Connector body – Polypropylene  
Threaded ferrule – Polypropylene  
Locking ring – TPE
- Properties:** High dust and waterproof  
Friction-type locking of conduit and screw connector  
Vibration and tension-proof
- Resistance:** To fuels, mineral, oil, fat, alkalises, glycols, acids, bases and common solvents
- Temperature range:** -10 up to +110 °C
- Colour:** Grey, RAL 7001
- Norm References:**  File Nr. E308201
- Note:** Self-extinguishing HB in acc. To UL 94  
Free of halogen and phosphor
- Protection class:** IP54 up to 65 acc. To EN 60529

|                                      |                          |               |
|--------------------------------------|--------------------------|---------------|
| elaborated by:<br>TE-VZ: M.Steinberg | Dokument: DB55501300_2EN | Blatt 1 von 2 |
|--------------------------------------|--------------------------|---------------|

|                      |                            |
|----------------------|----------------------------|
| <b>DATA SHEET</b>    | 5550 1300                  |
| <b>SILVYN® USK-M</b> | valid from :<br>10.12.2015 |



**Dimension table:**

| Part no.  | Part name    | Total length<br>C<br>mm | Smallest inner<br>Ø F<br>mm | Largest outer<br>Ø E<br>mm | Length of thread<br>D<br>mm | WS 1<br>mm | WS 2<br>mm |
|-----------|--------------|-------------------------|-----------------------------|----------------------------|-----------------------------|------------|------------|
| 5550 1300 | USK-M 10x1,0 | 40                      | 6                           | 20                         | 10                          | 16         | 18         |
| 5550 1310 | USK-M 12x1,5 | 43                      | 8                           | 25                         | 12                          | 21         | 23         |
| 5550 1320 | USK-M 16x1,5 | 43                      | 11                          | 30                         | 12                          | 24         | 27         |
| 5550 1330 | USK-M 20x1,5 | 44                      | 15                          | 35                         | 13                          | 29         | 32         |
| 5550 1340 | USK-M 25x1,5 | 50                      | 20                          | 44                         | 13                          | 36         | 40         |
| 5550 1350 | USK-M 32x1,5 | 51                      | 27                          | 54                         | 15                          | 45         | 49         |
| 5550 1360 | USK-M 40x1,5 | 51                      | 35                          | 63                         | 15                          | 54         | 58         |
| 5550 1370 | USK-M 50x1,5 | 58                      | 44,5                        | 77                         | 16                          | 66         | 70         |

**Suitable:**

SILVYN® FD-PU  
 SILVYN® SP  
 SILVYN® SP-PU  
 SILVYN® FPS

For more information please see our current catalogue.

Please do not hesitate to contact our laboratory if there any questions regarding resistance against aggressive agents and special oil.

|                                      |                          |               |
|--------------------------------------|--------------------------|---------------|
| elaborated by:<br>TE-VZ: M.Steinberg | Dokument: DB55501300_2EN | Blatt 2 von 2 |
|--------------------------------------|--------------------------|---------------|