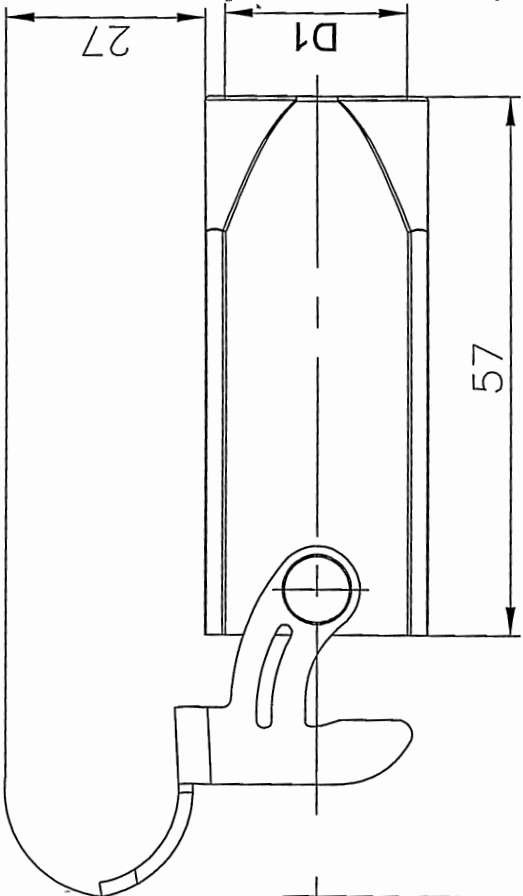
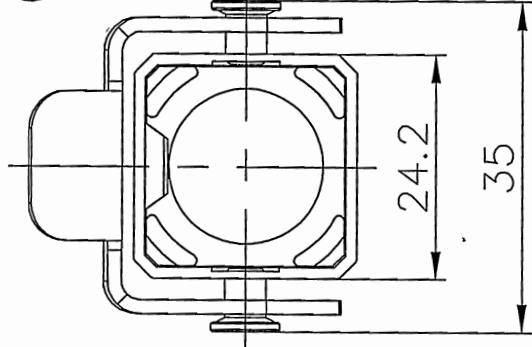
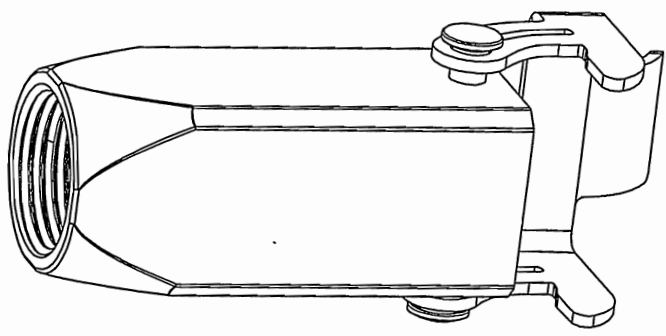


TYPE	Thread(D1)	Selection
D3A-CCT-1L-PG11	PG11	
D3A-CCT-1L-M20	M20	



Housings Feature

1. Material: Zinc die-cast
2. Surface: Powder-coated
3. Color: grey (RAL 7037)
4. Material: Metal (Lever)
5. Limiting temperatures: -40°C ~ +125°C
6. Flammability acc to UL94: V0
7. Degree of protection acc.to EN60529 for coupled connector : IP65
8. Rohs compliance

REVISION RECORD				
REV	ECN	DESCRIPTION	DRFT	DATE

PART NO:		NINGBO DEGSON ELECTRICAL CO., LTD	
APPD: HJS 2016.9.1		NAME: D3A-CCT-1L-M/PG	
CHKD: CTR 2016.9.1		TITLE: CUSTOMER DRAWING	
DRFT: Mr. yang 2018.06.16		REV	DO-1
DRAWING NO:		SHEET	1/1
THIRD-ANGLE PROJECTION		DO NOT SCALE DRAWING	SCALE 1.5:1